

TOUGH GUN® TA3

MIG [GMAW]
ROBOTIC WELDING



Issued January 2025 • Index No. TA3/5.9


ROBOTIC AIR-COOLED MIG GUN

| | |
|-------------------|--|
| PROCESSES | • MIG (GMAW) Welding |
| ROBOTS | • ABB® • COMAU® • FANUC® • Kawasaki® • KUKA® • Yaskawa® Motoman® • OTC Daihen® • Nachi® • Panasonic® |
| DUTY CYCLE | • 100%: 350 amp with Mixed Gases <i>Ratings are based on tests that comply with IEC 60974-7 standards</i> |


Designed with our unique and durable LSR+ (low-stress robotic) uncable, TOUGH GUN® TA3 robotic air-cooled MIG guns feed through the robot arm and provide outstanding precision and reliability.

Conventional style uncables typically come with a connection that limits rotational capabilities and produces torsional stress in on the cable. Unlike conventional uncables, the LSR+ incorporates a rotating power connection that reduces this stress during rotation. Additionally, a protective external conduit contributes to cable longevity by shielding components from harsh welding environments.

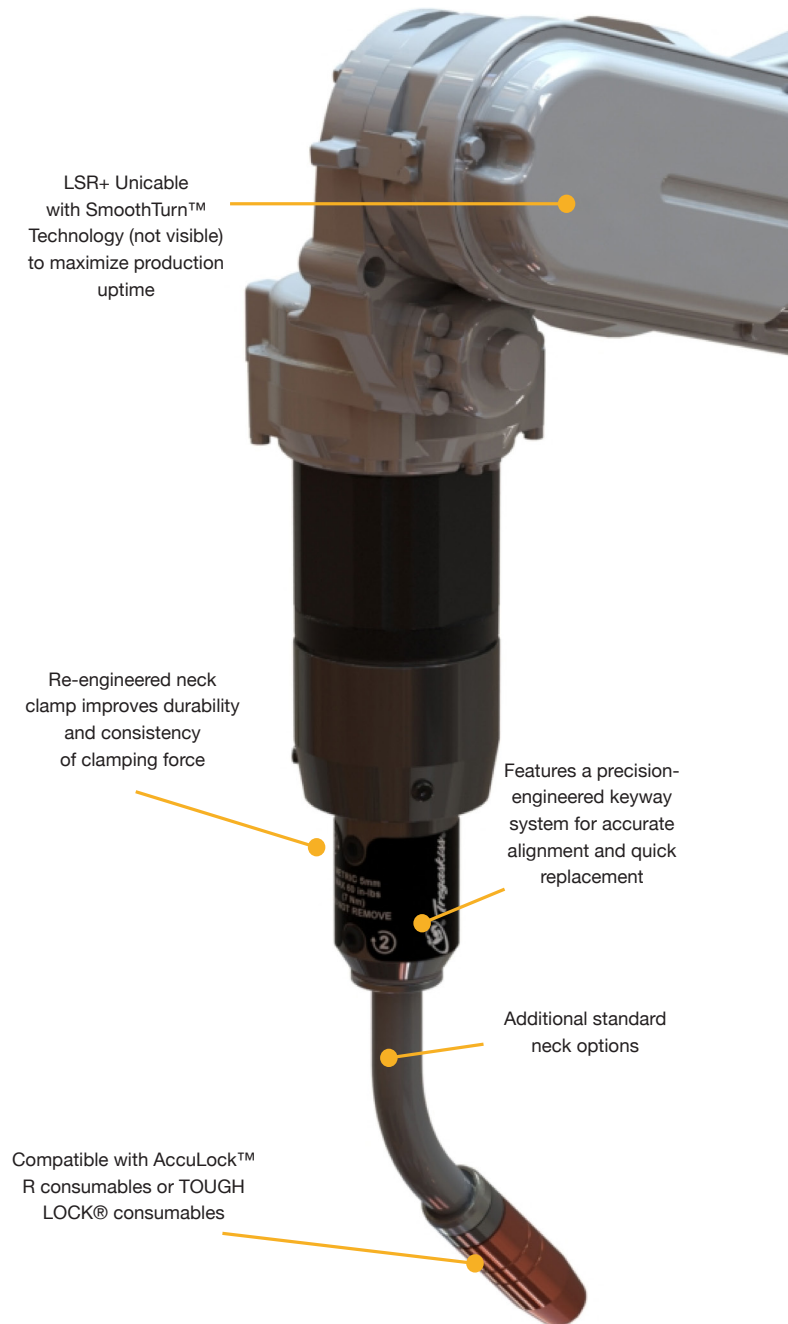
- Re-engineered neck clamp improves durability and consistency of clamping force
- Additional standard neck options expand the tool center point options and variety of working envelopes
- Available as a complete package — from the power pin to the contact tip
- Wire brake, air blast and TOUGH GUN I.C.E.™ technology are available options for select models



**EASY MAINTENANCE
WITH MINIMAL DOWNTIME**

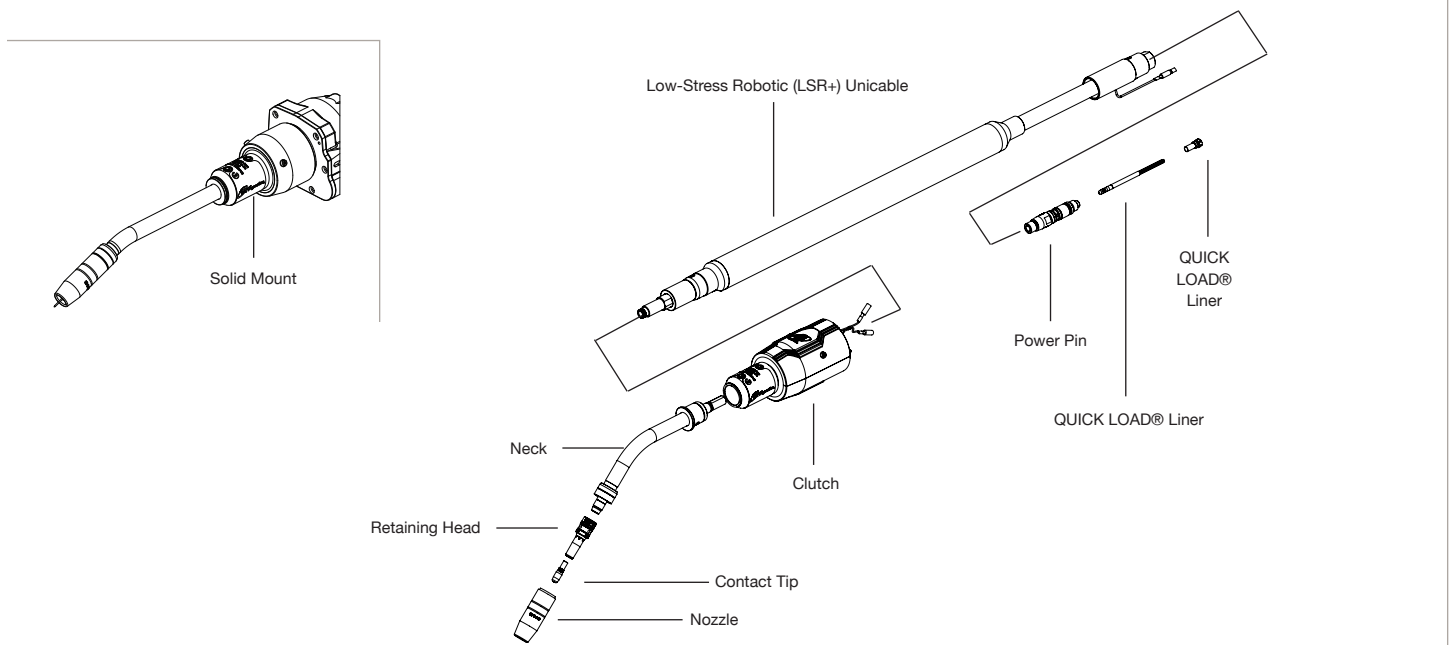


**NEW FEATURES PROVIDE
INCREASED DURABILITY**

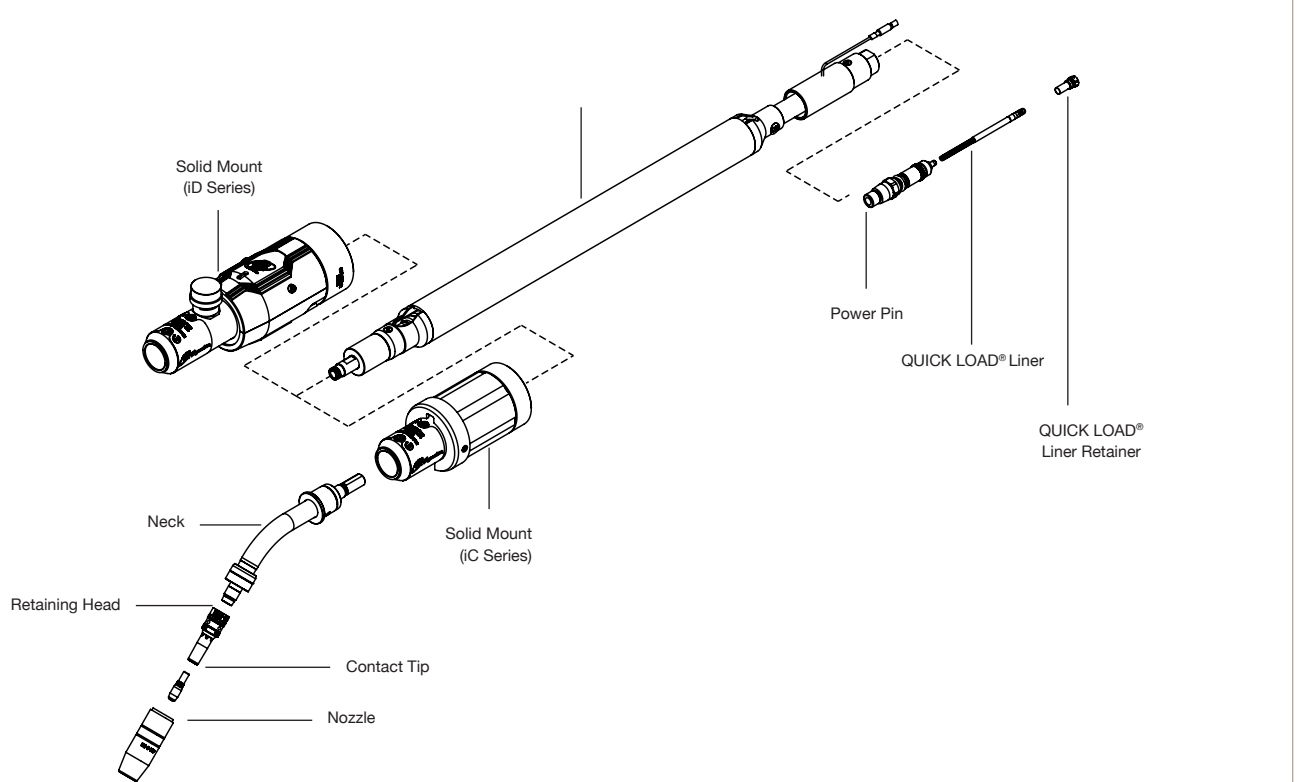


SYSTEM COMPONENTS

SYSTEM COMPONENTS FOR ALL ROBOTS EXCLUDING FANUC® ROBOTS



SYSTEM COMPONENTS FOR FANUC® ROBOTS



SPECIFICATIONS

THROUGH-ARM ROBOTIC ARTICULATION LIMITS FOR LSR+ UNICABLES

| Axis | Articulation Limit |
|------|--------------------|
| 5 | +/- 90° |
| 4+6 | +/- 270° |

NOTE: ANY ARTICULATION BEYOND THESE LIMITS IS CONSIDERED ABUSE OF THE CABLE AND WILL ACCELERATE LSR+ UNICABLE WEAR.

KNOW YOUR OPTIONS

WHAT'S THE DIFFERENCE BETWEEN CLUTCH AND SOLID MOUNT?

A clutch mount is designed to trigger an emergency stop in the event of a robotic collision, whereas a solid mount is not equipped with this functionality. Although many of today's robots are equipped with independent collision detection software and may not require this functionality in a robotic MIG gun, this option is sometimes selected during gun configuration as an additional safeguard.

WIRE BRAKE

Wire brake holds wire to a consistent stick out to allow a repeatable tool center point (TCP) for touch sensing / seam tracking while the torch articulates. Selecting the wire brake option when configuring a gun will impact TCP. 40-60 psi maximum air supply is required for proper operation. Wire brake is available for wire sizes between 0.030" and 1/16", and requires the use of a jump liner (for use with rear load liners). This option is not compatible with QUICK LOAD® liners.



ACCULOCK™ R CONSUMABLES

Eliminate contact tip cross-threading issues with AccuLock™ R consumables. These new consumables are designed for increased tip life, which can reduce replacement frequency and related downtime. AccuLock™ HDP contact tips can increase life by an additional 6-10x longer in pulse welding applications. And in most cases, your current tip and diffuser can be replaced with no impact to Tool Center Point (TCP), making this upgrade low effort, low risk, and high payoff.

AIR BLAST

Air blast utilizes compressed shop air to clear loose debris from front-end consumables thereby reducing the frequency of nozzle cleaning. 80-100 psi maximum air supply required for proper operation. This option is not available for TOUGH GUN® TA3 robotic air-cooled MIG guns for FANUC® robots equipped with TOUGH GUN I.C.E.™ Technology.

TOUGH GUN I.C.E.™ TECHNOLOGY

This technology boosts the duty cycle of our already highly robust air-cooled TOUGH GUN® MIG Guns by providing water-cooled benefits through our I.C.E. (Integrated Cooling Enhancer) component. This component circulates water at the nozzle, keeping TOUGH LOCK® consumables running cooler and lasting longer. In the TOUGH GUN® TA3 robotic MIG gun series, this option is available only for select FANUC® and ABB® robots. TOUGH GUN I.C.E.™ technology is not compatible with TOUGH ACCESS™ consumables.



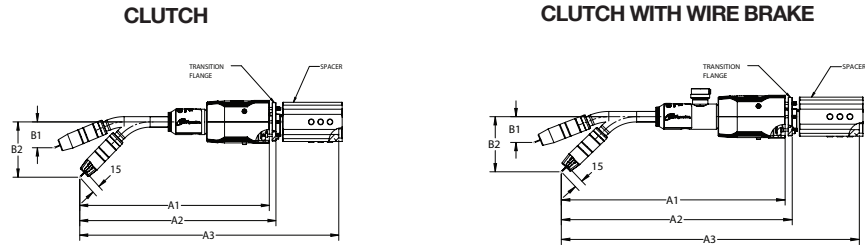
QUICK LOAD® LINERS

The QUICK LOAD® liner system loads from the front of the MIG gun, and requires less than half the time and effort for replacement when compared with rear load liners. These liners interface with a QUICK LOAD® liner retainer that is seated within the power pin of the gun on first use. QUICK LOAD® liners come standard on TOUGH GUN® robotic MIG guns unless wire brake is a selected option. Available for wire sizes between 0.035" and 1/16" and in lengths of up to 15 feet for robotic applications.

GUN CONFIGURATIONS

NOTE: FOR CENTER OF MASS INFORMATION, PLEASE VISIT BERNARDTREGASKISS.COM/TA3

STANDARD CONFIGURATIONS - CLUTCH

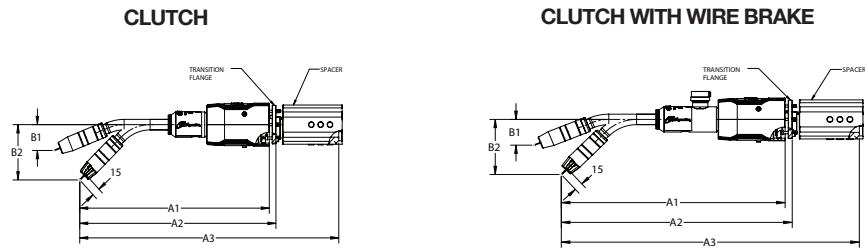


| Robot | Model | Neck | Neck Angle | Clutch | | | | | Clutch with Wire Brake | | | | |
|----------------------|--|------------|------------|----------|-----|-----|-----|-----|------------------------|-----|-----|----|-----|
| | | | | TCP (mm) | | | | | TCP (mm) | | | | |
| | | | | A1 | A2 | A3 | B1 | B2 | A1 | A2 | A3 | B1 | B2 |
| COMAU® | Smart5 Arc6 | 405-22QC | 22 | - | 414 | - | 47 | - | - | 451 | - | 47 | - |
| | | 405-22QCL | 22 | - | 472 | - | 47 | - | - | 509 | - | 47 | - |
| | | 405-22QCL1 | 22 | - | 527 | - | 47 | - | - | 564 | - | 47 | - |
| | | 405-45QC | 45 | - | 367 | - | - | 100 | - | 403 | - | - | 100 |
| | | 405-45QCL | 45 | - | 414 | - | - | 120 | - | 451 | - | - | 120 |
| | | 405-45QCL1 | 45 | - | 469 | - | - | 120 | - | 506 | - | - | 120 |
| | | 405-45QCL2 | 45 | - | 519 | - | - | 120 | - | 556 | - | - | 120 |
| Kawasaki® | BA006N, BA006L | 405-22QC | 22 | - | - | 488 | 47 | - | - | - | 525 | 47 | - |
| | | 405-22QCL | 22 | - | - | 545 | 47 | - | - | - | 582 | 47 | - |
| | | 405-22QCL1 | 22 | - | - | 601 | 47 | - | - | - | 638 | 47 | - |
| | | 405-45QC | 45 | - | - | 440 | - | 100 | - | - | 477 | - | 100 |
| | | 405-45QCL | 45 | - | - | 487 | - | 120 | - | - | 524 | - | 120 |
| | | 405-45QCL1 | 45 | - | - | 542 | - | 120 | - | - | 579 | - | 120 |
| | | 405-45QCL2 | 45 | - | - | 592 | - | 120 | - | - | 629 | - | 120 |
| KUKA® | KR 5 HW, KR 16 L8 HW | 405-22QC | 22 | 403 | - | - | 47 | - | 440 | - | - | 47 | - |
| | | 405-22QCL | 22 | 461 | - | - | 47 | - | 498 | - | - | 47 | - |
| | | 405-22QCL1 | 22 | 516 | - | - | 47 | - | 553 | - | - | 47 | - |
| | | 405-45QC | 45 | 355 | - | - | - | 100 | 391 | - | - | - | 100 |
| | | 405-45QCL | 45 | 402 | - | - | - | 120 | 438 | - | - | - | 120 |
| | | 405-45QCL1 | 45 | 458 | - | - | - | 120 | 493 | - | - | - | 120 |
| | | 405-45QCL2 | 45 | 508 | - | - | - | 120 | 543 | - | - | - | 120 |
| KUKA | KR 16 arc HW | 405-22QC | 22 | - | 414 | - | 47 | - | - | 451 | - | 47 | - |
| | | 405-22QCL | 22 | - | 473 | - | 47 | - | - | 509 | - | 47 | - |
| | | 405-22QCL1 | 22 | - | 527 | - | 47 | - | - | 564 | - | 47 | - |
| | | 405-45QC | 45 | - | 367 | - | - | 100 | - | 403 | - | - | 100 |
| | | 405-45QCL | 45 | - | 414 | - | - | 120 | - | 450 | - | - | 120 |
| | | 405-45QCL1 | 45 | - | 469 | - | - | 120 | - | 506 | - | - | 120 |
| | | 405-45QCL2 | 45 | - | 519 | - | - | 120 | - | 556 | - | - | 120 |
| KUKA | KR8 R1420HW, KR8 R1620HW, KR8 R2100HW, KR6 R1820HW | 405-22QC | 22 | - | - | 516 | 47 | - | - | - | 553 | 47 | - |
| | | 405-22QCL | 22 | - | - | 574 | 47 | - | - | - | 611 | 47 | - |
| | | 405-22QCL1 | 22 | - | - | 629 | 47 | - | - | - | 666 | 47 | - |
| | | 405-45QC | 45 | - | - | 469 | - | 100 | - | - | 505 | - | 100 |
| | | 405-45QCL | 45 | - | - | 516 | - | 120 | - | - | 553 | - | 120 |
| | | 405-45QCL1 | 45 | - | - | 571 | - | 120 | - | - | 608 | - | 120 |
| | | 405-45QCL2 | 45 | - | - | 621 | - | 120 | - | - | 658 | - | 120 |
| Yaskawa® Motoman® | All models except MA1440, AR1440, MH12, MA2010, AR2010, MA3120, AR3120, MH24 and AR1730 | 405-22QC | 22 | 403 | - | - | 47 | - | 440 | - | - | 47 | - |
| | | 405-22QCL | 22 | 461 | - | - | 47 | - | 498 | - | - | 47 | - |
| | | 405-22QCL1 | 22 | 516 | - | - | 47 | - | 553 | - | - | 47 | - |
| | | 405-45QC | 45 | 355 | - | - | - | 100 | 392 | - | - | - | 100 |
| | | 405-45QCL | 45 | 402 | - | - | - | 120 | 439 | - | - | - | 120 |
| | | 405-45QCL1 | 45 | 458 | - | - | - | 120 | 495 | - | - | - | 120 |
| 405-45QCL2 | 45 | 508 | - | - | - | 120 | 545 | - | - | - | 120 | | |

GUN CONFIGURATIONS (CONTINUED)

NOTE: FOR CENTER OF MASS INFORMATION, PLEASE VISIT BERNARDTREGASKISS.COM/TA3

STANDARD CONFIGURATIONS - CLUTCH (Continued)

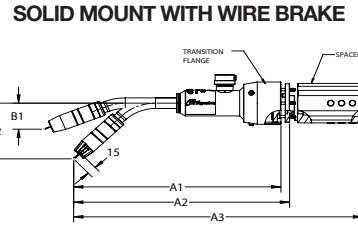
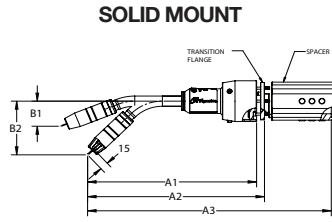


| Robot | Model | Neck | Neck Angle | Clutch | | | | | Clutch with Wire Brake | | | | |
|----------------------|--|------------|------------|----------|-----|-----|----|-----|------------------------|-----|-----|----|-----|
| | | | | TCP (mm) | | | | | TCP (mm) | | | | |
| | | | | A1 | A2 | A3 | B1 | B2 | A1 | A2 | A3 | B1 | B2 |
| Yaskawa® Motoman® | MA1440, AR1440, MH12, MA2010, AR2010, MA3120, AR3120, MH24, AR1730 | 405-22QC | 22 | - | - | 508 | 47 | - | - | - | 545 | 47 | - |
| | | 405-22QCL | 22 | - | - | 566 | 47 | - | - | - | 603 | 47 | - |
| | | 405-22QCL1 | 22 | - | - | 621 | 47 | - | - | - | 658 | 47 | - |
| | | 405-45QC | 45 | - | - | 460 | - | 100 | - | - | 497 | - | 100 |
| | | 405-45QCL | 45 | - | - | 507 | - | 120 | - | - | 544 | - | 120 |
| | | 405-45QCL1 | 45 | - | - | 563 | - | 120 | - | - | 600 | - | 120 |
| | | 405-45QCL2 | 45 | - | - | 613 | - | 120 | - | - | 649 | - | 120 |
| OTC Daihen® | AX-V4, AX-V4L | 405-22QC | 22 | 403 | - | - | 47 | - | 439 | - | - | 47 | - |
| | | 405-22QCL | 22 | 461 | - | - | 47 | - | 497 | - | - | 47 | - |
| | | 405-22QCL1 | 22 | 516 | - | - | 47 | - | 552 | - | - | 47 | - |
| | | 405-45QC | 45 | 355 | - | - | - | 100 | 391 | - | - | - | 100 |
| | | 405-45QCL | 45 | 402 | - | - | - | 120 | 439 | - | - | - | 120 |
| | | 405-45QCL1 | 45 | 458 | - | - | - | 120 | 494 | - | - | - | 120 |
| OTC Daihen / Nachi® | OTC Daihen: All B4, All B4L, FD B4, FD B4L Nachi: NB04, NB04L | 405-22QC | 22 | - | 413 | - | 47 | - | - | 449 | - | 47 | - |
| | | 405-22QCL | 22 | - | 471 | - | 47 | - | - | 507 | - | 47 | - |
| | | 405-22QCL1 | 22 | - | 526 | - | 47 | - | - | 563 | - | 47 | - |
| | | 405-45QC | 45 | - | 365 | - | - | 100 | - | 402 | - | - | 100 |
| | | 405-45QCL | 45 | - | 412 | - | - | 120 | - | 449 | - | - | 120 |
| | | 405-45QCL1 | 45 | - | 467 | - | - | 120 | - | 504 | - | - | 120 |
| | | 405-45QCL2 | 45 | - | 517 | - | - | 120 | - | 554 | - | - | 120 |
| OTC Daihen / Nachi | OTC Daihen: FD B6, FD B6L Nachi: NB6, NB6L | 405-22QC | 22 | - | - | 503 | 47 | - | - | - | 540 | 47 | - |
| | | 405-22QCL | 22 | - | - | 561 | 47 | - | - | - | 597 | 47 | - |
| | | 405-22QCL1 | 22 | - | - | 616 | 47 | - | - | - | 653 | 47 | - |
| | | 405-45QC | 45 | - | - | 455 | - | 100 | - | - | 492 | - | 100 |
| | | 405-45QCL | 45 | - | - | 502 | - | 120 | - | - | 539 | - | 120 |
| | | 405-45QCL1 | 45 | - | - | 557 | - | 120 | - | - | 594 | - | 120 |
| | | 405-45QCL2 | 45 | - | - | 607 | - | 120 | - | - | 644 | - | 120 |
| Panasonic® | TB1800WGIII | 405-22QC | 22 | 403 | - | - | 47 | - | 440 | - | - | 47 | - |
| | | 405-22QCL | 22 | 461 | - | - | 47 | - | 498 | - | - | 47 | - |
| | | 405-22QCL1 | 22 | 516 | - | - | 47 | - | 553 | - | - | 47 | - |
| | | 405-45QC | 45 | 355 | - | - | - | 100 | 392 | - | - | - | 100 |
| | | 405-45QCL | 45 | 402 | - | - | - | 120 | 439 | - | - | - | 120 |
| | | 405-45QCL1 | 45 | 458 | - | - | - | 120 | 495 | - | - | - | 120 |
| | | 405-45QCL2 | 45 | 508 | - | - | - | 120 | 545 | - | - | - | 120 |
| Panasonic | TM-1100, TM-1400, TM-1600, TM-1800, TM-2000 | 405-22QC | 22 | - | - | 471 | 47 | - | - | - | 508 | 47 | - |
| | | 405-22QCL | 22 | - | - | 529 | 47 | - | - | - | 566 | 47 | - |
| | | 405-22QCL1 | 22 | - | - | 584 | 47 | - | - | - | 621 | 47 | - |
| | | 405-45QC | 45 | - | - | 423 | - | 100 | - | - | 460 | - | 100 |
| | | 405-45QCL | 45 | - | - | 470 | - | 120 | - | - | 507 | - | 120 |
| | | 405-45QCL1 | 45 | - | - | 526 | - | 120 | - | - | 563 | - | 120 |
| | | 405-45QCL2 | 45 | - | - | 576 | - | 120 | - | - | 613 | - | 120 |

GUN CONFIGURATIONS

NOTE: FOR CENTER OF MASS INFORMATION, PLEASE VISIT BERNARDTREGASKISS.COM/TA3

STANDARD CONFIGURATIONS – SOLID MOUNT

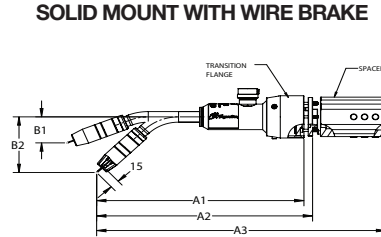
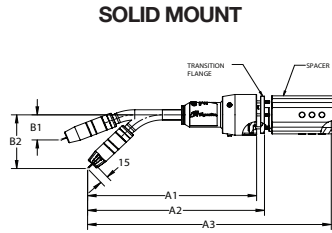


| Robot | Model | Neck | Neck Angle | Solid Mount | | | | | Solid Mount with Wire Brake | | | | |
|------------|--|------------|------------|-------------|-----|-----|----|-----|-----------------------------|-----|-----|----|-----|
| | | | | TCP (mm) | | | | | TCP (mm) | | | | |
| | | | | A1 | A2 | A3 | B1 | B2 | A1 | A2 | A3 | B1 | B2 |
| ABB® | IRB1600ID, IRB1520ID | 405-22QC | 22 | - | 356 | - | 47 | - | - | 392 | - | 47 | - |
| | | 405-22QCL | 22 | - | 414 | - | 47 | - | - | 450 | - | 47 | - |
| | | 405-22QCL1 | 22 | - | 470 | - | 47 | - | - | 505 | - | 47 | - |
| | | 405-45QC | 45 | - | 309 | - | - | 100 | - | 345 | - | - | 100 |
| | | 405-45QCL | 45 | - | 356 | - | - | 120 | - | 392 | - | - | 120 |
| | | 405-45QCL1 | 45 | - | 411 | - | - | 120 | - | 447 | - | - | 120 |
| | | 405-45QCL2 | 45 | - | 461 | - | - | 120 | - | 497 | - | - | 120 |
| ABB | IRB2600ID, IRB1660ID | 405-22QC | 22 | - | 359 | - | 47 | - | - | 395 | - | 47 | - |
| | | 405-22QCL | 22 | - | 417 | - | 47 | - | - | 453 | - | 47 | - |
| | | 405-22QCL1 | 22 | - | 472 | - | 47 | - | - | 508 | - | 47 | - |
| | | 405-45QC | 45 | - | 309 | - | - | 100 | - | 347 | - | - | 100 |
| | | 405-45QCL | 45 | - | 356 | - | - | 120 | - | 394 | - | - | 120 |
| | | 405-45QCL1 | 45 | - | 411 | - | - | 120 | - | 450 | - | - | 120 |
| | | 405-45QCL2 | 45 | - | 461 | - | - | 120 | - | 500 | - | - | 120 |
| FANUC® | 100iC, 100iC-12, 100iC-6L, 100iC-7L, 100iC-8L, 120iC, 120iC-10L, 120iC-12L, M10iA-6L, M10iA-7L, M10iA-12 | 405-22QC | 22 | - | - | 386 | 47 | - | - | - | 421 | 47 | - |
| | | 405-22QCL | 22 | - | - | 443 | 47 | - | - | - | 479 | 47 | - |
| | | 405-22QCL1 | 22 | - | - | 499 | 47 | - | - | - | 534 | 47 | - |
| | | 405-45QC | 45 | - | - | 338 | - | 100 | - | - | 373 | - | 100 |
| | | 405-45QCL | 45 | - | - | 385 | - | 120 | - | - | 420 | - | 120 |
| | | 405-45QCL1 | 45 | - | - | 440 | - | 120 | - | - | 475 | - | 120 |
| | | 405-45QCL2 | 45 | - | - | 490 | - | 120 | - | - | 525 | - | 120 |
| FANUC | 100iD, 100iD-12, 100iD-8L, 100iD-10L, 120iD, 120iD-12L | 405-22QC | 22 | - | - | 461 | 47 | - | - | - | 461 | 47 | - |
| | | 405-22QCL | 22 | - | - | 519 | 47 | - | - | - | 519 | 47 | - |
| | | 405-22QCL1 | 22 | - | - | 574 | 47 | - | - | - | 574 | 47 | - |
| | | 405-45QC | 45 | - | - | 413 | - | 100 | - | - | 413 | - | 100 |
| | | 405-45QCL | 45 | - | - | 460 | - | 120 | - | - | 460 | - | 120 |
| | | 405-45QCL1 | 45 | - | - | 516 | - | 120 | - | - | 516 | - | 120 |
| | | 405-45QCL2 | 45 | - | - | 566 | - | 120 | - | - | 566 | - | 120 |
| Kawasaki® | BA006N, BA006L | 405-22QC | 22 | - | - | 432 | 47 | - | - | - | 467 | 47 | - |
| | | 405-22QCL | 22 | - | - | 489 | 47 | - | - | - | 525 | 47 | - |
| | | 405-22QCL1 | 22 | - | - | 545 | 47 | - | - | - | 580 | 47 | - |
| | | 405-45QC | 45 | - | - | 384 | - | 100 | - | - | 420 | - | 100 |
| | | 405-45QCL | 45 | - | - | 431 | - | 120 | - | - | 467 | - | 120 |
| | | 405-45QCL1 | 45 | - | - | 486 | - | 120 | - | - | 522 | - | 120 |
| | | 405-45QCL2 | 45 | - | - | 536 | - | 120 | - | - | 572 | - | 120 |
| Kawasaki | BA013N, BA013L | 405-22QC | 22 | - | - | 450 | 47 | - | - | - | - | - | - |
| | | 405-22QCL | 22 | - | - | 507 | 47 | - | - | - | - | - | - |
| | | 405-22QCL1 | 22 | - | - | 563 | 47 | - | - | - | - | - | - |
| | | 405-45QC | 45 | - | - | 402 | - | 101 | - | - | - | - | - |
| | | 405-45QCL | 45 | - | - | 449 | - | 121 | - | - | - | - | - |
| | | 405-45QCL1 | 45 | - | - | 504 | - | 121 | - | - | - | - | - |
| 405-45QCL2 | 45 | - | - | 554 | - | 121 | - | - | - | - | - | | |

GUN CONFIGURATIONS (CONTINUED)

NOTE: FOR CENTER OF MASS INFORMATION, PLEASE VISIT BERNARDTREGASKISS.COM/TA3

STANDARD CONFIGURATIONS - SOLID MOUNT (Continued)

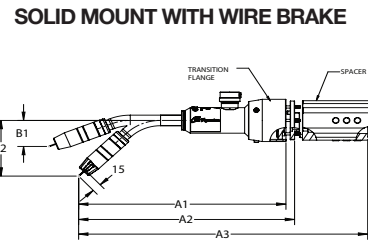
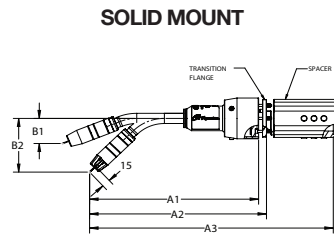


| Robot | Model | Neck | Neck Angle | Solid Mount | | | | | Solid Mount with Wire Brake | | | | |
|-------------------|---|------------|------------|-------------|-----|-----|----|-----|-----------------------------|-----|-----|----|-----|
| | | | | TCP (mm) | | | | | TCP (mm) | | | | |
| | | | | A1 | A2 | A3 | B1 | B2 | A1 | A2 | A3 | B1 | B2 |
| KUKA® | KR5 HW, KR16 L8 HW | 405-22QC | 22 | 346 | - | - | 47 | - | 383 | - | - | 47 | - |
| | | 405-22QCL | 22 | 405 | - | - | 47 | - | 441 | - | - | 47 | - |
| | | 405-22QCL1 | 22 | 460 | - | - | 47 | - | 496 | - | - | 47 | - |
| | | 405-45QC | 45 | 299 | - | - | - | 100 | 335 | - | - | - | 100 |
| | | 405-45QCL | 45 | 346 | - | - | - | 120 | 382 | - | - | - | 120 |
| | | 405-45QCL1 | 45 | 402 | - | - | - | 120 | 437 | - | - | - | 120 |
| | | 405-45QCL2 | 45 | 452 | - | - | - | 120 | 487 | - | - | - | 120 |
| KUKA | KR16 arc HW | 405-22QC | 22 | - | 358 | - | 47 | - | - | 394 | - | 47 | - |
| | | 405-22QCL | 22 | - | 416 | - | 47 | - | - | 452 | - | 47 | - |
| | | 405-22QCL1 | 22 | - | 471 | - | 47 | - | - | 507 | - | 47 | - |
| | | 405-45QC | 45 | - | 310 | - | - | 100 | - | 346 | - | - | 100 |
| | | 405-45QCL | 45 | - | 358 | - | - | 120 | - | 393 | - | - | 120 |
| | | 405-45QCL1 | 45 | - | 413 | - | - | 120 | - | 449 | - | - | 120 |
| | | 405-45QCL2 | 45 | - | 463 | - | - | 120 | - | 499 | - | - | 120 |
| KUKA | KR8 R1420HW, KR8 R1620HW, KR8 R2100HW, KR6 R1820HW | 405-22QC | 22 | - | - | 459 | 47 | - | - | - | 495 | 47 | - |
| | | 405-22QCL | 22 | - | - | 517 | 47 | - | - | - | 553 | 47 | - |
| | | 405-22QCL1 | 22 | - | - | 572 | 47 | - | - | - | 608 | 47 | - |
| | | 405-45QC | 45 | - | - | 412 | - | 100 | - | - | 447 | - | 100 |
| | | 405-45QCL | 45 | - | - | 459 | - | 120 | - | - | 494 | - | 120 |
| | | 405-45QCL1 | 45 | - | - | 514 | - | 120 | - | - | 550 | - | 120 |
| | | 405-45QCL2 | 45 | - | - | 564 | - | 120 | - | - | 600 | - | 120 |
| Yaskawa® Motoman® | All models except MA1440, AR1440, MH12, MA2010, AR2010, MA3120, AR3120, MH24 and AR1730 | 405-22QC | 22 | 347 | - | - | 47 | - | 383 | - | - | 47 | - |
| | | 405-22QCL | 22 | 405 | - | - | 47 | - | 441 | - | - | 47 | - |
| | | 405-22QCL1 | 22 | 460 | - | - | 47 | - | 496 | - | - | 47 | - |
| | | 405-45QC | 45 | 299 | - | - | - | 100 | 335 | - | - | - | 100 |
| | | 405-45QCL | 45 | 346 | - | - | - | 120 | 382 | - | - | - | 120 |
| | | 405-45QCL1 | 45 | 402 | - | - | - | 120 | 438 | - | - | - | 120 |
| | | 405-45QCL2 | 45 | 452 | - | - | - | 120 | 487 | - | - | - | 120 |
| Yaskawa Motoman | MA1440, AR1440, MH12, MA2010, AR2010, MA3120, AR3120, MH24, AR1730 | 405-22QC | 22 | - | - | 452 | 47 | - | - | - | 488 | 47 | - |
| | | 405-22QCL | 22 | - | - | 510 | 47 | - | - | - | 546 | 47 | - |
| | | 405-22QCL1 | 22 | - | - | 565 | 47 | - | - | - | 601 | 47 | - |
| | | 405-45QC | 45 | - | - | 404 | - | 100 | - | - | 440 | - | 100 |
| | | 405-45QCL | 45 | - | - | 451 | - | 120 | - | - | 487 | - | 120 |
| | | 405-45QCL1 | 45 | - | - | 507 | - | 120 | - | - | 543 | - | 120 |
| | | 405-45QCL2 | 45 | - | - | 557 | - | 120 | - | - | 593 | - | 120 |

GUN CONFIGURATIONS (CONTINUED)

NOTE: FOR CENTER OF MASS INFORMATION, PLEASE VISIT BERNARDTREGASKISS.COM/TA3

STANDARD CONFIGURATIONS – SOLID MOUNT (Continued)



| Robot | Model | Neck | Neck Angle | Solid Mount | | | | | Solid Mount with Wire Brake | | | | |
|------------|---|------------|------------|-------------|----|-----|----|-----|-----------------------------|----|-----|----|-----|
| | | | | TCP (mm) | | | | | TCP (mm) | | | | |
| | | | | A1 | A2 | A3 | B1 | B2 | A1 | A2 | A3 | B1 | B2 |
| Panasonic® | TM-1100, TM-1400, TM-1600, TM-1800, TM-2000 | 405-22QC | 22 | - | - | 415 | 47 | - | - | - | 451 | 47 | - |
| | | 405-22QCL | 22 | - | - | 473 | 47 | - | - | - | 509 | 47 | - |
| | | 405-22QCL1 | 22 | - | - | 528 | 47 | - | - | - | 564 | 47 | - |
| | | 405-45QC | 45 | - | - | 367 | - | 100 | - | - | 403 | - | 100 |
| | | 405-45QCL | 45 | - | - | 414 | - | 120 | - | - | 450 | - | 120 |
| | | 405-45QCL1 | 45 | - | - | 470 | - | 120 | - | - | 505 | - | 120 |
| | | 405-45QCL2 | 45 | - | - | 520 | - | 120 | - | - | 555 | - | 120 |
| Panasonic | TB1800WGIII | 405-22QC | 22 | 347 | - | - | 47 | - | 386 | - | - | 47 | - |
| | | 405-22QCL | 22 | 405 | - | - | 47 | - | 444 | - | - | 47 | - |
| | | 405-22QCL1 | 22 | 460 | - | - | 47 | - | 499 | - | - | 47 | - |
| | | 405-45QC | 45 | 299 | - | - | - | 100 | 338 | - | - | - | 100 |
| | | 405-45QCL | 45 | 346 | - | - | - | 120 | 385 | - | - | - | 120 |
| | | 405-45QCL1 | 45 | 402 | - | - | - | 120 | 440 | - | - | - | 120 |
| | | 405-45QCL2 | 45 | 452 | - | - | - | 120 | 490 | - | - | - | 120 |

ROBOT MAKE AND MODEL OPTIONS

NOTE: THE 3-DIGIT CHARACTER SELECTIONS PROVIDED FOR THE FOLLOWING AVAILABLE ROBOT MAKES AND MODELS ARE INTENDED FOR USE WHEN CONFIGURING A TOUGH GUN® TA3 MIG GUN PART NUMBER (SEE ORDERING INFORMATION ON PAGE 18).

ABB®

A24* IRB1600ID, IRB1520ID
A28* IRB2600ID 15/1.85
A29* IRB2600ID 8/2.00
A30* IRB1660ID

COMAU®

C35** Smart5 Arc6

FANUC®

F05* 100iC, 100iC-12L, M10iA-12
F06* 120iC
F07* 100iC-6L, 100iC-7L, M10iA-6L, M10iA-7L
F08* 120iC-10L, 120iC-12L
F10* 100iC-8L
F11^^ 100iD, 100iD-12
F12^^ 100iD-8L
F14^^ 100iD-10L
F15^^ 120iD
F16^^ 120iD-12L

KAWASAKI®

W42 BA006N
W45^^^ BA006L
W46^^ BA013N
W47^^ BA013L

KUKA®

K23 KR 5 HW
K27 KR 16 L8 HW
K30 KR 16 HW
K31 KR6 R1820HW
K32 KR8 R1420HW, KR8 R1620HW
K33 KR8 R2100HW

OTC DAIHEN®, NACHI®

D03** OTC AX-V4
D22** OTC AX-V4L
D25** OTC AII-B4
D26** OTC AII-B4L
D36** OTC FD B4, Nachi NB04
D37** OTC FD B4L, Nachi NB04L
D38** OTC FD B6, Nachi NB6
D50** OTC FD B6L, Nachi NB6L

PANASONIC®

P34 TB1800WGIII
P37^ TM-1100, TM-1400
P39^ TM-1800
P40^^^ TM-1600
P41^ TM-2000

YASKAWA® MOTOMAN®

M01 EA1400N, SSA2000, MA1400, VA1400
M02 EA1900N, MA1900
M16 EA1400 XRC
M17 EA1900 XRC
M31 MA3100
M35 MA1440, AR1440, MH12
M38 MA2010, AR2010
M39 MA3120, AR3120
M40 MH24, AR1730

*SOLID MOUNT MODELS ONLY
**CLUTCH MOUNT MODELS ONLY
^MUST BE CONFIGURED WITH A MILLER® OR PANASONIC® POWER PIN
^^SOLID MOUNT MODELS ONLY; MUST BE CONFIGURED WITH A MILLER® OR A LINCOLN® POWER PIN
^^^MUST BE CONFIGURED WITH A MILLER® POWER PIN

CONSUMABLE OPTIONS

ACCULOCK™ HEAVY DUTY (HD) COPPER CONTACT TIPS

| | | | |
|------------------|-----------------------------------|-----------------|-----------------------------------|
| T-A030CH* | for 0.030" (0.8 mm) wire; qty. 10 | T-A062CH | for 1/16" (1.6 mm) wire; qty. 10 |
| T-A035CH* | for 0.035" (0.9 mm) wire; qty. 10 | T-A072CH | for 0.072" (1.8 mm) wire; qty. 10 |
| T-A039CH* | for 0.039" (1.0 mm) wire; qty. 10 | T-A078CH | for 5/64" (2.0 mm) wire; qty. 10 |
| T-A045CH* | for 0.045" (1.2 mm) wire; qty. 10 | T-A094CH | for 3/32" (2.4 mm) wire; qty. 10 |
| T-A052CH* | for 0.052" (1.3 mm) wire; qty. 10 | | |

NOTE: ADD "-100" TO END OF THE ABOVE HD COPPER CONTACT TIP PART NUMBERS FOR QUANTITIES OF 100.
*ADD "-1000" TO END OF THE ABOVE PART NUMBERS FOR QUANTITIES OF 1000.

ACCULOCK™ HEAVY DUTY (HD) CHROME ZIRCONIUM CONTACT TIPS

| | | | |
|-----------------|-----------------------------------|-----------------|-----------------------------------|
| T-A030ZH | for 0.030" (0.8 mm) wire; qty. 10 | T-A039ZH | for 0.039" (1.0 mm) wire; qty. 10 |
| T-A035ZH | for 0.035" (0.9 mm) wire; qty. 10 | T-A045ZH | for 0.045" (1.2 mm) wire; qty. 10 |

NOTE: ADD "-100" TO THE END OF THE ABOVE HD CHROME ZIRCONIUM CONTACT TIP PART NUMBERS FOR QUANTITIES OF 100.

ACCULOCK™ HDP CONTACT TIPS

| | | | |
|-----------------|-----------------------------------|-----------------|-----------------------------------|
| T-A035WH | for 0.035" (0.9 mm) wire; qty. 10 | T-A045WH | for 0.045" (1.2 mm) wire; qty. 10 |
| T-A039WH | for 0.039" (1.0 mm) wire; qty. 10 | T-A052WH | for 0.052" (1.3 mm) wire; qty. 10 |

NOTE: ADD "-100" TO THE END OF THE ABOVE HDP CONTACT TIP PART NUMBERS FOR QUANTITIES OF 100.

ACCULOCK™ TEACH POINTERS (USED FOR ROBOTIC PROGRAMMING)

| | | | |
|-----------------|--------------------------|-----------------|---------------------------|
| T-A001TP | Adjustable teach pointer | T-A075TP | Teach pointer, 3/4" CTWD |
| T-A050TP | Teach pointer, 1/2" CTWD | T-A10MTP | Teach pointer, 10 mm CTWD |
| T-A062TP | Teach pointer, 5/8" CTWD | T-A15MTP | Teach pointer, 15 mm CTWD |

ACCULOCK™ R GAS DIFFUSERS

| | | | |
|---------------|-------------------------------------|---------------|-----------------------------------|
| D-ATTH | Gas diffuser, thread-on, AccuLock R | D-ATSH | Gas diffuser, slip-on, AccuLock R |
|---------------|-------------------------------------|---------------|-----------------------------------|

NOTE: ADD "-100" TO THE END OF THE ABOVE GAS DIFFUSER PART NUMBERS FOR QUANTITIES OF 100.

TOUGH LOCK® HEAVY DUTY (HD) CONTACT TIPS

| | | | |
|-------------------|--------------------------|-------------------|--------------------------|
| 403-20-30 | for 0.030" (0.8 mm) wire | 403-20-1.4 | for 0.055" (1.4 mm) wire |
| 403-20-35 | for 0.035" (0.9 mm) wire | 403-20-116 | for 1/16" (1.6 mm) wire |
| 403-20-1.0 | for 0.040" (1.0 mm) wire | 403-20-1.8 | for 0.072" (1.8 mm) wire |
| 403-20-45 | for 0.045" (1.2 mm) wire | 403-20-78 | for 0.078" (2.0 mm) wire |
| 403-20-364 | for 3/64" (1.2 mm) wire | 403-20-564 | for 5/64" (2.0 mm) wire |
| 403-20-52 | for 0.052" (1.3 mm) wire | 403-20-332 | for 3/32" (2.4 mm) wire |

TOUGH LOCK® HEAVY DUTY TAPERED CONTACT TIPS

| | | | |
|-------------------|--------------------------|-------------------|--------------------------|
| 403-21-30 | for 0.030" (0.8 mm) wire | 403-21-45 | for 0.045" (1.2 mm) wire |
| 403-21-35 | for 0.035" (0.9 mm) wire | 403-21-52 | for 0.052" (1.3 mm) wire |
| 403-21-1.0 | for 0.040" (1.0 mm) wire | 403-21-116 | for 1/16" (1.6 mm) wire |

TOUGH LOCK® EXTENDED LIFE HEAVY DUTY (EHD) CONTACT TIPS

| | | | |
|-------------------|--------------------------|-------------------|--------------------------|
| 403-27-30 | for 0.030" (0.8 mm) wire | 403-27-45 | for 0.045" (1.2 mm) wire |
| 403-27-35 | for 0.035" (0.9 mm) wire | 403-27-364 | for 3/64" (1.2 mm) wire |
| 403-27-1.0 | for 0.040" (1.0 mm) wire | | |

TOUGH LOCK® STANDARD DUTY (SD) CONTACT TIPS

| | | | |
|------------------|--------------------------|------------------|--------------------------|
| 403-14-30 | for 0.030" (0.8 mm) wire | 403-14-45 | for 0.045" (1.2 mm) wire |
| 403-14-35 | for 0.035" (0.9 mm) wire | | |

TOUGH LOCK® STANDARD DUTY TAPERED CONTACT TIPS

| | | | |
|------------------|--------------------------|-------------------|--------------------------|
| 403-12-30 | for 0.030" (0.8 mm) wire | 403-12-1.0 | for 0.040" (1.0 mm) wire |
| 403-12-35 | for 0.035" (0.9 mm) wire | 403-12-45 | for 0.045" (1.2 mm) wire |

TOUGH LOCK® TEACH POINTERS (USED FOR ROBOTIC PROGRAMMING)

| | | | |
|-------------------|----------------------|--------------------|----------------------|
| 403-20-01 | Adjustable teach tip | 403-20-075 | Teach tip 3/4" CTWD |
| 403-20-05 | Teach tip 1/2" CTWD | 403-20-10mm | Teach tip 10 mm CTWD |
| 403-20-062 | Teach tip 5/8" CTWD | 403-20-15mm | Teach tip 15 mm CTWD |

TOUGH LOCK® RETAINING HEADS

| | | | |
|---------------|---|---------------|---|
| 404-18 | SD – retaining head for slip-on nozzles | 404-32 | HD – retaining head for slip-on nozzles |
| | | 404-52 | HD – retaining head for thread-on nozzles |

CONSUMABLE OPTIONS [CONTINUED]

NOZZLES

| Part Number | Description | Style | COMPATIBLE CONSUMABLES SERIES | |
|-------------|---|-----------|-------------------------------|-------------|
| | | | TOUGH LOCK® | AccuLock™ R |
| 401-6-62 | HD - 5/8" bore, 1/8" recess (copper) | Slip-on | X | X |
| 401-81-62 | HD - 5/8" bore, 1/8" stick out (copper) | Slip-on | X | X |
| 401-4-62 | SD - 5/8" bore, 1/8" recess (copper) | Slip-on | X | X |
| 401-8-62 | SD - 5/8" bore, 1/8" stick out (copper) | Slip-on | X | X |
| 401-42-50 | SD - 1/2" bore, 1/8" recess (bottleneck, brass) | Slip-on | X | |
| 401-48-50 | SD - 1/2" bore, 1/8" stick out (bottleneck, brass) | Slip-on | X | |
| 401-48-62 | HD - 5/8" bore, flush tip (bottleneck, copper) | Slip-on | X | X |
| 401-44-50 | SD - 1/2" bore, 1/4" stick out (bottleneck, brass) | Slip-on | X | |
| 401-49-50 | HD - 1/2" bore, flush tip (bottleneck, brass) | Slip-on | X | |
| 401-71-62 | HD - 5/8" bore, 1/8" recess (brass), straight bore | Slip-on | | X |
| 401-87-62 | HD - 5/8" bore, 1/8" stick out (brass) | Slip-on | X | X |
| 401-14-62 | HD - 5/8" bore, 1/8" recess (copper) | Thread-on | X | X |
| 401-41-62 | HD - 5/8" bore, 1/8" stick out (brass) | Thread-on | X | |
| 401-53-62 | HD - 5/8" bore, 1/8" stick out (bottleneck, copper) | Thread-on | X | |
| 401-20-62 | HD - 5/8" bore, 1/8" stick out (copper) | Thread-on | X | X |
| 401-43-62 | SD - 5/8" bore, 1/8" recess (copper) | Thread-on | X | X |
| 401-18-62 | SD - 5/8" bore, 1/8" stick out (copper) | Thread-on | X | X |
| 401-30-62 | SD - 5/8" bore, 1/8" stick out (bottleneck, brass) | Slip-on | X | X |
| 401-30-62T | SD - 5/8" bore, 1/8" stick out (bottleneck, brass) | Thread-on | X | X |

SEE THE TOUGH LOCK® CONSUMABLES SPEC SHEET (SP-TLO) FOR MORE OPTIONS

QUICK LOAD® LINERS

| | |
|-------------|--|
| 415-26 | QUICK LOAD® Liner Retainer |
| 415-24 | QUICK LOAD® Liner Retainer (required for 3/32" wire) |
| 415-35-6Q | QUICK LOAD® Liner for 0.035" (0.9 mm) - 0.045" (1.2 mm) wire; 6' (1.8 m) |
| 415-35-10Q | QUICK LOAD® Liner for 0.035" (0.9 mm) - 0.045" (1.2 mm) wire; 10' (3.05 m) |
| 415-35-15Q | QUICK LOAD® Liner for 0.035" (0.9 mm) - 0.045" (1.2 mm) wire; 15' (4.5 m) |
| 415-116-6Q | QUICK LOAD® Liner for 0.045" (1.2 mm) - 1/16" (1.6 mm) wire; 6' (1.8 m) |
| 415-116-10Q | QUICK LOAD® Liner for 0.045" (1.2 mm) - 1/16" (1.6 mm) wire; 10' (3.05 m) |
| 415-116-15Q | QUICK LOAD® Liner for 0.045" (1.2 mm) - 1/16" (1.6 mm) wire; 15' (4.5 m) |

QUICK LOAD® E-Z FEED™ LINERS

| | |
|--------------|---|
| 415-31 | QUICK LOAD® Liner Retainer (required for 415-116-062Q liner) |
| 415-35-062Q | QUICK LOAD® Liner for 0.035" (0.9 mm) - 0.045" (1.2 mm) cored wire; 6' (1.8 m) (requires 415-26 retainer) |
| 415-116-062Q | QUICK LOAD® Liner for 0.045" (1.2 mm) - 1/16" (1.6 mm) cored wire; 6' (1.8 m) (requires 415-31 retainer) |

REAR LOAD LINERS (required for MIG guns equipped with wire brake only)

| | |
|------------|--|
| 415-30-6 | for 0.030" (0.8 mm) wire; 6' (1.8 m) – round wound |
| 415-30-15 | for 0.030" (0.8 mm) wire; 15' (4.5 m) – round wound |
| 415-35-6 | for 0.035" (0.9 mm) - 0.045" (1.2 mm) wire; 6' (1.8 m) – round wound |
| 415-35-10 | for 0.035" (0.9 mm) - 0.045" (1.2 mm) wire; 10' (3.05 m) – round wound |
| 415-35-15 | for 0.035" (0.9 mm) - 0.045" (1.2 mm) wire; 15' (4.5 m) – round wound |
| 415-116-6 | for 0.045" (1.2 mm) - 1/16" (1.6 mm) wire; 6' (1.8 m) – round wound |
| 415-116-10 | for 0.045" (1.2 mm) - 1/16" (1.6 mm) wire; 10' (3.05 m) – round wound |
| 415-116-15 | for 0.045" (1.2 mm) - 1/16" (1.6 mm) wire; 15' (4.5 m) – round wound |
| 415-564-6 | for 1/16" (1.6 mm) - 5/64" (2.0 mm) wire; 6' (1.8 m) – round wound |
| 415-564-15 | for 1/16" (1.6 5/64" (2.0 mm) wire; 15' (4.5 m) – flat wound |
| 415-332-15 | for 0.078" (2.0 mm) - 3/32" (2.4 mm) wire; 15' (4.5 m) – flat wound |

JUMP LINERS (required for MIG guns equipped with wire brake only; to be used with rear load liners)

| | |
|------------|---|
| 495-18-35 | for 0.035" (0.9 mm) - 0.045" (1.2 mm) wire; 26" |
| 495-18-116 | for 0.045" (1.2 mm) - 1/16" (1.6 mm) wire; 26" |

COMPONENTS

AIR-COOLED NECKS

| | | | |
|-------------------|-------------------------------|--------------------|---------------------------------|
| 405-22QC | 22 degree neck, short length | 405-45QCL | 45 degree neck, medium length |
| 405-22QCL | 22 degree neck, medium length | 405-45QCL1* | 45 degree neck, long length |
| 405-22QCL1 | 22 degree neck, long length | 405-45QCL2* | 45 degree neck, extended length |
| 405-45QC | 45 degree neck, short length | | |

* NON-CONFIGURABLE NECK OPTION

TOUGH GUN I.C.E.™ NECKS

| | | | |
|-----------------------|-------------------------------|------------------------|---------------------------------|
| 590-22-X.XXX | 22 degree neck, short length | 590-45L-X.XXX* | 45 degree neck, medium length |
| 590-22L-X.XXX | 22 degree neck, medium length | 590-45L1-X.XXX* | 45 degree neck, long length |
| 590-22L1-X.XXX | 22 degree neck, long length | 590-45L2-X.XXX* | 45 degree neck, extended length |
| 590-45-X.XXX | 45 degree neck, short length | | |

* NON-CONFIGURABLE NECK OPTION

NOTE: X.XXX IN THE PART NUMBERS ABOVE REPRESENT NOZZLE O.D.; I.E. 590-22L-0.938 = 0.938" O.D., 590-45-1.106 = 1.106" O.D. (REFER TO THE O.D. COLUMN IN THE TOUGH LOCK® CONSUMABLES SPEC SHEET (SP-TLC) FOR MORE INFORMATION)

LSR+ (LOW-STRESS ROBOTIC) UNICABLES

NOTE: LSR+ UNICABLE PART NUMBERS ARE DETERMINED BY GUN MODEL TYPE, ROBOT BRAND, ROBOT MODEL, AND GUN OPTIONS. PLEASE FIND THE LSR+ UNICABLE PART NUMBER YOU REQUIRE FROM THE APPROPRIATE CHART PROVIDED

| | |
|---|---------|
| For Clutch models | page 11 |
| For Clutch models (equipped with TOUGH GUN I.C.E.™ technology | page 12 |
| For Clutch models (Euro..... | page 12 |
| For Clutch models (Euro; equipped with TOUGH GUN I.C.E.™ technology..... | page 13 |
| For Solid Mount models | page 13 |
| For Solid Mount models (equipped with TOUGH GUN I.C.E.™ technology | page 14 |
| For Solid Mount models (Euro..... | page 15 |
| For Solid Mount models (Euro; equipped with TOUGH GUN I.C.E.™ technology..... | page 15 |

LSR+ (LOW-STRESS ROBOTIC) UNICABLES - CLUTCH

| Robot Brand | Robot Model | LSR+ Unicable Part Number | | | |
|-------------|----------------------------------|---------------------------|--------------|--------------|------------------------|
| | | No Options | Air Blast | Wire Brake | Air Blast + Wire Brake |
| COMAU® | Smart5 Arc6 | 58CM002 | 58CM002A | 58CM002W | 58CM002AW |
| Kawasaki® | BA006N | 58CKW042 | 58CKW042A | 58CKW042W | 58CKW042AW |
| Kawasaki** | BA006L | M58CKW045** | M58CKW045A** | M58CKW045W** | M58CKW045AW** |
| KUKA® | KR 5 arc HW | 58CK023 | 58CK023A | 58CK023W | 58CK023AW |
| KUKA | KR 16 L8 HW | 58CK027 | 58CK027A | 58CK027W | 58CK027AW |
| KUKA | KR 16 arc HW | 58CK030 | 58CK030A | 58CK030W | 58CK030AW |
| KUKA** | KR6 R1820HW | M58CK031** | M58CK031A** | M58CK031W** | M58CK031AW** |
| KUKA^ | KR8 R1820HW | L58CK031^ | L58CK031A^ | L58CK031W^ | L58CK031AW^ |
| KUKA^^ | KR8 R1420HW, KR8 R1620HW | MC58CK032^^ | MC58CK032A^^ | MC58CK032W^^ | MC58CK032AW^^ |
| KUKA^ | KR8 R1420HW, KR8 R1620HW | L58CK032^ | L58CK032A^ | L58CK032W^ | L58CK032AW^ |
| KUKA^^ | KR8 R2100HW | MC58CK033^^ | MC58CK033A^^ | MC58CK033W^^ | MC58CK033AW^^ |
| KUKA^ | KR8 R2100HW | L58CK033^ | L58CK033A^ | L58CK033W^ | L58CK033AW^ |
| Motoman® | EA1400 XRC | 58CM016 | 58CM016A | 58CM016W | 58CM016AW |
| Motoman | EA1900 XRC | 58CM017 | 58CM017A | 58CM017W | 58CM017AW |
| Motoman | EA1400N, SSA2000, MA1400, VA1400 | 58CM001 | 58CM001A | 58CM001W | 58CM001AW |
| Motoman | MA1440, AR1440, MH12 | 58CM035 | 58CM035A | 58CM035W | 58CM035AW |
| Motoman | EA1900N | 58CM002 | 58CM002A | 58CM002W | 58CM002AW |
| Motoman | MA2010, AR2010 | 58CM038 | 58CM038A | 58CM038W | 58CM038AW |
| Motoman | MA3100, MA3120, AR3120 | 58CM031 | 58CM031A | 58CM031W | 58CM031AW |
| Motoman | MH24, AR1730 | 58CM039 | 58CM039A | 58CM039W | 58CM039AW |
| Nachi® | NB04 | 58CD036 | 58CD036A | 58CD036W | 58CD036AW |
| Nachi | NB04L | 58CD037 | 58CD037A | 58CD037W | 58CD037AW |
| Nachi | NB6 | 58CD038 | 58CD038A | 58CD038W | 58CD038AW |
| Nachi | NB6L | 58CD050 | 58CD050A | 58CD050W | 58CD050AW |

*ONLY AVAILABLE FOR USE WITH A PANASONIC® POWER PIN

^^ONLY AVAILABLE FOR USE WITH A MILLER® POWER PIN W/MILLER AUTO-CONTINUUM® FEEDER

**ONLY AVAILABLE FOR USE WITH A MILLER® POWER PIN W/MILLER AUTO-ACCESS® FEEDER

^ONLY AVAILABLE FOR USE WITH A LINCOLN® POWER PIN

COMPONENTS (CONTINUED)

| Robot Brand | Robot Model | LSR+ Unicable Part Number | | | |
|-------------|------------------|---------------------------|--------------|--------------|------------------------|
| | | No Options | Air Blast | Wire Brake | Air Blast + Wire Brake |
| OTC Daihen® | All-B4 | 58CD025 | 58CD025A | 58CD025W | 58CD025AW |
| OTC Daihen | All-B4L | 58CD026 | 58CD026A | 58CD026W | 58CD026AW |
| OTC Daihen | AX-V4 | 58CD003 | 58CD003A | 58CD003W | 58CD003AW |
| OTC Daihen | AX-V4L | 58CD022 | 58CD022A | 58CD022W | 58CD022AW |
| OTC Daihen | FD B4 | 58CD036 | 58CD036A | 58CD036W | 58CD036AW |
| OTC Daihen | FD B4L | 58CD037 | 58CD037A | 58CD037W | 58CD037AW |
| OTC Daihen | FD B6 | 58CD038 | 58CD038A | 58CD038W | 58CD038AW |
| OTC Daihen | FD B6L | 58CD050 | 58CD050A | 58CD050W | 58CD050AW |
| Panasonic® | TB1800WGIII | 58CP034 | 58CP034A | 58CP034W | 58CP034AW |
| Panasonic* | TM-1100, TM-1400 | P58CP037* | P58CP037A* | P58CP037W* | P58CP037AW* |
| Panasonic* | TM-1600 | P58CP039* | P58CP039A* | P58CP039W* | P58C9039AW* |
| Panasonic* | TM-1800 | P58CP039* | P58CP039A* | P58CP039W* | P58CP039AW* |
| Panasonic* | TM-2000 | P58CP041* | P58CP041A* | P58CP041W* | P58CP041AW* |
| Panasonic** | TM-1100, TM-1400 | M58CP037** | M58CP037A** | M58CP037W** | M58CP037AW** |
| Panasonic** | TM-1800 | M58CP039** | M58CP039A** | M58CP039W** | M58CP039AW** |
| Panasonic** | TM-1600 | M58CP040** | M58CP040A** | M58CP040W** | M58CP040AW** |
| Panasonic** | TM-2000 | M58CP041** | M58CP041A** | M58CP041W** | M58CP041AW** |
| Panasonic^^ | TM-1100, TM-1400 | MC58CP037^^ | MC58CP037A^^ | MC58CP037W^^ | MC58CP037AW^^ |
| Panasonic^^ | TM-1800 | MC58CP039^^ | MC58CP039A^^ | MC58CP039W^^ | MC58CP039AW^^ |
| Panasonic^^ | TM-1600 | MC58CP040^^ | MC58CP040A^^ | MC58CP040W^^ | MC58CP040AW^^ |
| Panasonic^^ | TM-2000 | MC58CP041^^ | MC58CP041A^^ | MC58CP041W^^ | MC58CP041AW^^ |

*ONLY AVAILABLE FOR USE WITH A PANASONIC® POWER PIN

^^ONLY AVAILABLE FOR USE WITH A MILLER® POWER PIN W/MILLER AUTO-CONTINUUM® FEEDER

**ONLY AVAILABLE FOR USE WITH A MILLER® POWER PIN W/MILLER AUTO-ACCESS® FEEDER

^ONLY AVAILABLE FOR USE WITH A LINCOLN® POWER PIN

LSR+ [LOW-STRESS ROBOTIC] UNICABLES – CLUTCH [EQUIPPED WITH TOUGH GUN I.C.E.™ TECHNOLOGY]

| Robot Brand | Robot Model | LSR+ Unicable Part Number (for TOUGH GUN I.C.E.™ Assembly) | | | |
|-------------|------------------|--|---------------|---------------|------------------------|
| | | No Options | Air Blast | Wire Brake | Air Blast + Wire Brake |
| Nachi® | NB04 | I58CD036 | I58CD036A | I58CD036W | I58CD036AW |
| Nachi | NB04L | I58CD037 | I58CD037A | I58CD037W | I58CD037AW |
| OTC Daihen® | FD B4 | I58CD036 | I58CD036A | I58CD036W | I58CD036AW |
| OTC Daihen | FD B4L | I58CD037 | I58CD037A | I58CD037W | I58CD037AW |
| Panasonic* | TM-1100, TM-1400 | IP58CP037* | IP58CP037A* | IP58CP037W* | IP58CP037AW* |
| Panasonic* | TM-1800 | IP58CP039* | IP58CP039A* | IP58CP039W* | IP58CP039AW* |
| Panasonic* | TM-2000 | IP58CP041* | IP58CP041A* | IP58CP041W* | IP58CP041AW* |
| Panasonic** | TM-1100, TM-1400 | IM58CP037** | IM58CP037A** | IM58CP037W** | IM58CP037AW** |
| Panasonic** | TM-1800 | IM58CP039** | IM58CP039A** | IM58CP039W** | IM58CP039AW** |
| Panasonic** | TM-1600 | IM58CP040** | IM58CP040A** | IM58CP040W** | IM58CP040AW** |
| Panasonic** | TM-2000 | IM58CP041** | IM58CP041A** | IM58CP041W** | IM58CP041AW** |
| Panasonic^^ | TM-1100, TM-1400 | IMC58CP037^^ | IMC58CP037A^^ | IMC58CP037W^^ | IMC58CP037AW^^ |
| Panasonic^^ | TM-1800 | IMC58CP039^^ | IMC58CP039A^^ | IMC58CP039W^^ | IMC58CP039AW^^ |
| Panasonic^^ | TM-1600 | IMC58CP040^^ | IMC58CP040A^^ | IMC58CP040W^^ | IMC58CP040AW^^ |
| Panasonic^^ | TM-2000 | IMC58CP041^^ | IMC58CP041A^^ | IMC58CP041W^^ | IMC58CP041AW^^ |

*ONLY AVAILABLE FOR USE WITH A PANASONIC® POWER PIN

^^ONLY AVAILABLE FOR USE WITH A MILLER® POWER PIN W/MILLER AUTO-CONTINUUM® FEEDER

**ONLY AVAILABLE FOR USE WITH A MILLER® POWER PIN W/MILLER AUTO-ACCESS® FEEDER

^ONLY AVAILABLE FOR USE WITH A LINCOLN® POWER PIN

LSR+ [LOW-STRESS ROBOTIC] UNICABLES – CLUTCH [EURO]

| Robot Brand | Robot Model | Euro LSR+ Unicable Part Number | | | |
|-------------|--------------|--------------------------------|------------|------------|------------------------|
| | | No Options | Air Blast | Wire Brake | Air Blast + Wire Brake |
| COMAU® | Smart5 Arc6 | E58CM002 | E58CM002A | E58CM002W | E58CM002AW |
| Kawasaki® | BA006N | E58CKW042 | E58CKW042A | E58CKW042W | E58CKW042AW |
| KUKA® | KR 5 arc HW | E58CK023 | E58CK023A | E58CK023W | E58CK023AW |
| KUKA | KR 16 L8 HW | E58CK027 | E58CK027A | E58CK027W | E58CK027AW |
| KUKA | KR 16 arc HW | E58CK030 | E58CK030A | E58CK030W | E58CK030AW |
| Motoman® | EA1400 XRC | E58CM016 | E58CM016A | E58CM016W | E58CM016AW |

COMPONENTS (CONTINUED)

| Robot Brand | Robot Model | Euro LSR+ Unicable Part Number | | | |
|-------------|----------------------------------|--------------------------------|-----------|------------|------------------------|
| | | No Options | Air Blast | Wire Brake | Air Blast + Wire Brake |
| Motoman | EA1900 XRC | E58CM017 | E58CM017A | E58CM017W | E58CM017AW |
| Motoman | EA1400N, SSA2000, MA1400, VA1400 | E58CM001 | E58CM001A | E58CM001W | E58CM001AW |
| Motoman | MA1440, AR1440, MH12 | E58CM035 | E58CM035A | E58CM035W | E58CM035AW |
| Motoman | EA1900N | E58CM002 | E58CM002A | E58CM002W | E58CM002AW |
| Motoman | MA2010, AR2010 | E58CM038 | E58CM038A | E58CM038W | E58CM038AW |
| Motoman | MA3100, MA3120, AR3120 | E58CM031 | E58CM031A | E58CM031W | E58CM031AW |
| Motoman | MH24, AR1730 | E58CM039 | E58CM039A | E58CM039W | E58CM039AW |
| Nachi® | NB04 | E58CD036 | E58CD036A | E58CD036W | E58CD036AW |
| Nachi | NB04L | E58CD037 | E58CD037A | E58CD037W | E58CD037AW |
| OTC Daihen® | AII-B4 | E58CD025 | E58CD025A | E58CD025W | E58CD025AW |
| OTC Daihen | AII-B4L | E58CD026 | E58CD026A | E58CD026W | E58CD026AW |
| OTC Daihen | AX-V4 | E58CD003 | E58CD003A | E58CD003W | E58CD003AW |
| OTC Daihen | AX-V4L | E58CD022 | E58CD022A | E58CD022W | E58CD022AW |
| OTC Daihen | FD B4 | E58CD036 | E58CD036A | E58CD036W | E58CD036AW |
| OTC Daihen | FD B4L | E58CD037 | E58CD037A | E58CD037W | E58CD037AW |
| Panasonic® | TB1800WGIII | E58CP034 | E58CP034A | E58CP034W | E58CP034AW |

LSR+ (LOW-STRESS ROBOTIC) UNICABLES – CLUTCH (EURO; EQUIPPED WITH TOUGH GUN I.C.E.™ TECHNOLOGY)

| Robot Brand | Robot Model | LSR+ Unicable Part Number (for TOUGH GUN I.C.E.™ Assembly) | | | |
|-------------|-------------|--|------------|------------|------------------------|
| | | No Options | Air Blast | Wire Brake | Air Blast + Wire Brake |
| Nachi® | NB04 | IE58CD036 | IE58CD036A | IE58CD036W | IE58CD036AW |
| Nachi | NB04L | IE58CD037 | IE58CD037A | IE58CD037W | IE58CD037AW |
| OTC Daihen® | FD B4 | IE58CD036 | IE58CD036A | IE58CD036W | IE58CD036AW |
| OTC Daihen | FD B4L | IE58CD037 | IE58CD037A | IE58CD037W | IE58CD037AW |

LSR+ (LOW-STRESS ROBOTIC) UNICABLES – SOLID MOUNT

| Robot Brand | Robot Model | LSR+ Unicable Part Number | | | |
|-------------|----------------------|---------------------------|--------------|--------------|------------------------|
| | | No Options | Air Blast | Wire Brake | Air Blast + Wire Brake |
| ABB® | IRB1600ID, IRB1520ID | 58SA024 | 58SA024A | 58SA024W | 58SA024AW |
| ABB | IRB2600ID-15/1.85 | 58SA028 | 58SA028A | 58SA028W | 58SA028AW |
| ABB | IRB2600ID-8/2.00 | 58SA029 | 58SA029A | 58SA029W | 58SA029AW |
| ABB | IRB1660ID | 58SA030 | 58SA030A | 58SA030W | 58SA030AW |
| FANUC® | 100iC, 100iC-12 | 58SF005 | 58SF005A | 58SF005W | 58SF005AW |
| FANUC | 100iC-6L, 100iC-7L | 58SF007 | 58SF007A | 58SF007W | 58SF007AW |
| FANUC | 100iC-8L | 58SF010 | 58SF010A | 58SF010W | 58SF010AW |
| FANUC^^ | 100iD, 100iD-12 | 58SF011^^ | - | 58SF011W^^ | - |
| FANUC^ | 100iD, 100iD-12 | L58SF011^ | - | L58SF011W^ | - |
| FANUC^^ | 100iD-8L | MC58SF012^^ | - | MC58SF012W^^ | - |
| FANUC^ | 100iD-8L | L58SF012^ | - | L58SF012W^ | - |
| FANUC^^ | 100iD-10L | MC58SF014^^ | - | MC58SF014W^^ | - |
| FANUC^ | 100iD-10L | L58SF014^ | - | L58SF014W^ | - |
| FANUC | 120iC | 58SF006 | 58SF006A | 58SF006W | 58SF006AW |
| FANUC | 120iC-10L, 120iC-12L | 58SF008 | 58SF008A | 58SF008W | 58SF008AW |
| FANUC^^ | 120iD | MC58SF015^^ | - | MC58SF015W^^ | - |
| FANUC^ | 120iD | L58SF015^ | - | L58SF015W^ | - |
| FANUC^^^ | 120iD | F58SF015^^^ | - | F58SF015W^^^ | - |
| FANUC^^ | 120iD-12L | MC58SF016^^ | - | MC58SF016W^^ | - |
| FANUC^ | 120iD-12L | L58SF016^ | - | L58SF016W^ | - |
| FANUC | M10iA-6L, M10iA-7L | 58SF007 | 58SF007A | 58SF007W | 58SF007AW |
| Kawasaki® | BA0006N | 58SKW042 | 58SKW042A | 58SKW042W | 58SKW042AW |
| Kawasaki** | BA0006L | M58SKW045** | M58SKW045A** | M58SKW045W** | M58SKW045AW** |
| Kawasaki^^ | BA013N | 58SKW046^^ | 58SKW046A^^ | 58SKW046W^^ | 58SKW046AW^^ |
| Kawasaki^^ | BA013L | 58SKW047^^ | 58SKW047A^^ | 58SKW047W^^ | 58SKW047AW^^ |

COMPONENTS (CONTINUED)

| Robot Brand | Robot Model | LSR+ Unicable Part Number | | | |
|-------------|----------------------------------|---------------------------|--------------|--------------|------------------------|
| | | No Options | Air Blast | Wire Brake | Air Blast + Wire Brake |
| KUKA® | KR 5 arc HW | 58SK023 | 58SK023A | 58SK023W | 58SK023AW |
| KUKA | KR 16 L8 HW | 58SK027 | 58SK027A | 58SK027W | 58SK027AW |
| KUKA | KR 16 arc HW | 58SK030 | 58SK030A | 58SK030W | 58SK030AW |
| KUKA** | KR6 R1820HW | M58SK031** | M58SK031W** | M58SK031W** | M58SK031AW** |
| KUKA^ | KR8 R1820HW | L58SK031^ | L58SK031W^ | L58SK031W^ | L58SK031AW^ |
| KUKA^^ | KR8 R1420HW, KR8 R1620HW | MC58SK032^^ | MC58SK032A^^ | MC58SK032W^^ | MC58SK032AW^^ |
| KUKA^ | KR8 R1420HW, KR8 R1620HW | L58SK032^ | L58SK032A^ | L58SK032W^ | L58SK032AW^ |
| KUKA^^ | KR8 R2100HW | MC58SK033^^ | MC58SK033A^^ | MC58SK033W^^ | MC58SK033AW^^ |
| KUKA^ | KR8 R2100HW | L58SK033^ | L58SK033A^ | L58SK033W^ | L58SK033AW^ |
| Motoman® | EA1400 XRC | 58SM016 | 58SM016A | 58SM016W | 58SM016AW |
| Motoman | EA1900 XRC | 58SM017 | 58SM017A | 58SM017W | 58SM017AW |
| Motoman | EA1400N, SSA2000, MA1400, VA1400 | 58SM001 | 58SM001A | 58SM001W | 58SM001AW |
| Motoman | MA1440, AR1440, MH12 | 58SM035 | 58SM035A | 58SM035W | 58SM035AW |
| Motoman | EA1900N | 58SM002 | 58SM002A | 58SM002W | 58SM002AW |
| Motoman | MA2010, AR2010 | 58SM038 | 58SM038A | 58SM038W | 58SM038AW |
| Motoman | MA3100, MA3120, AR3120 | 58SM031 | 58SM031A | 58SM031W | 58SM031AW |
| Motoman | MH24, AR1730 | 58SM039 | 58SM039A | 58SM039W | 58SM039AW |
| Panasonic® | TB1800WGIII | 58SP034 | 58SP034A | 58SP034W | 58SP034AW |
| Panasonic* | TM-1100, TM-1400 | P58SP037* | P58SP037A* | P58SP037W* | P58SP037AW* |
| Panasonic* | TM-1800 | P58SP039* | P58SP039A* | P58SP039W* | P58SP039AW* |
| Panasonic* | TM-2000 | P58SP041* | P58SP041A* | P58SP041W* | P58SP041AW* |
| Panasonic** | TM-1100, TM-1400 | M58SP037** | M58SP037A** | M58SP037W** | M58SP037AW** |
| Panasonic** | TM-1800 | M58SP039** | M58SP039A** | M58SP039W** | M58SP039AW** |
| Panasonic** | TM-2000 | M58SP041** | M58SP041A** | M58SP041W** | M58SP041AW** |
| Panasonic^^ | TM-1100, TM-1400 | MC58SP037^^ | MC58SP037A^^ | MC58SP037W^^ | MC58SP037AW^^ |
| Panasonic^^ | TM-1800 | MC58SP039^^ | MC58SP039A^^ | MC58SP039W^^ | MC58SP039AW^^ |
| Panasonic^^ | TM-1600 | MC58SP040^^ | MC58SP040A^^ | MC58SP040W^^ | MC58SP040AW^^ |
| Panasonic^^ | TM-2000 | MC58SP041^^ | MC58SP041A^^ | MC58SP041W^^ | MC58SP041AW^^ |

*ONLY AVAILABLE FOR USE WITH A PANASONIC® POWER PIN

^^ONLY AVAILABLE FOR USE WITH A MILLER® POWER PIN W/MILLER AUTO-CONTINUUM® FEEDER

**ONLY AVAILABLE FOR USE WITH A MILLER® POWER PIN W/MILLER AUTO-ACCESS® FEEDER

^^^ONLY AVAILABLE FOR USE WITH FRONIUS® VR-1500 PAP FEEDER

^ONLY AVAILABLE FOR USE WITH A LINCOLN® POWER PIN

LSR+ (LOW-STRESS ROBOTIC) UNICABLES – SOLID MOUNT (EQUIPPED WITH TOUGH GUN I.C.E.™ TECHNOLOGY)

| Robot Brand | Robot Model | LSR+ Unicable Part Number (for TOUGH GUN I.C.E.™ Assembly) | | | |
|-------------|----------------------|--|-----------|--------------|------------------------|
| | | No Options | Air Blast | Wire Brake | Air Blast + Wire Brake |
| ABB® | IRB1600ID, IRB1520ID | I58SA024 | I58SA024A | I58SA024W | I58SA024AW |
| ABB | IRB2600ID-15/1.85 | I58SA028 | I58SA028A | I58SA028W | I58SA028AW |
| ABB | IRB2600ID-8/2.00 | I58SA029 | I58SA029A | I58SA029W | I58SA029AW |
| ABB | IRB1660ID | I58SA030 | I58SA030A | I58SA030W | I58SA030AW |
| FANUC® | 100iC, 100iC-12 | 58SF205 | - | 58SF205W | - |
| FANUC | 100iC-6L, 100iC-7L | 58SF207 | - | 58SF207W | - |
| FANUC | 100iC-8L | 58SF210 | - | 58SF210W | - |
| FANUC^^ | 100iD, 100iD-12 | 58SF211^^ | - | 58SF211W^^ | - |
| FANUC^ | 100iD, 100iD-12 | L58SF211^ | - | L58SF211W^ | - |
| FANUC^^ | 100iD-10L | MC58SF214^^ | - | MC58SF214W^^ | - |
| FANUC^ | 100iD-10L | L58SF214^ | - | L58SF214W^ | - |
| FANUC | 120iC | 58SF206 | - | 58SF206W | - |
| FANUC | 120iC-10L, 120iC-12L | 58SF208 | - | 58SF208W | - |
| FANUC^^ | 120iD | MC58SF215^^ | - | MC58SF215W^^ | - |
| FANUC^ | 120iD | L58SF215^ | - | L58SF215W^ | - |

*ONLY AVAILABLE FOR USE WITH A PANASONIC® POWER PIN

^^ONLY AVAILABLE FOR USE WITH A MILLER® POWER PIN W/MILLER AUTO-CONTINUUM® FEEDER

**ONLY AVAILABLE FOR USE WITH A MILLER® POWER PIN W/MILLER AUTO-ACCESS® FEEDER

^ONLY AVAILABLE FOR USE WITH A LINCOLN® POWER PIN

COMPONENTS (CONTINUED)

LSR+ (LOW-STRESS ROBOTIC) UNICABLES – SOLID MOUNT (EURO)

| Robot Brand | Robot Model | Euro LSR+ Unicable Part Number | | | |
|-------------|----------------------------------|--------------------------------|------------|------------|------------------------|
| | | No Options | Air Blast | Wire Brake | Air Blast + Wire Brake |
| ABB® | IRB1600ID, IRB1520ID | E58SA024 | E58SA024A | E58SA024W | E58SA024AW |
| ABB | IRB2600ID-15/1.85 | E58SA028 | E58SA028A | E58SA028W | E58SA028AW |
| ABB | IRB2600ID-8/2.00 | E58SA029 | E58SA029A | E58SA029W | E58SA029AW |
| ABB | IRB1660ID | E58SA030 | E58SA030A | E58SA030W | E58SA030AW |
| FANUC® | 100iC, 100iC-12 | E58SF005 | E58SF005A | E58SF005W | E58SF005AW |
| FANUC | 100iC-6L, 100iC-7L | E58SF007 | E58SF007A | E58SF007W | E58SF007AW |
| FANUC | 100iC-8L | E58SF010 | E58SF010A | E58SF010W | E58SF010AW |
| FANUC | 120iC | E58SF006 | E58SF006A | E58SF006W | E58SF006AW |
| FANUC | 120iC-10L, 120iC-12L | E58SF008 | E58SF008A | E58SF008W | E58SF008AW |
| FANUC | M10iA-6L, M10iA-7L | E58SF007 | E58SF007A | E58SF007W | E58SF007AW |
| Kawasaki® | BA006N | E58SKW042 | E58SKW042A | E58SKW042W | E58SKW042AW |
| KUKA® | KR 5 arc HW | E58SK023 | E58SK023A | E58SK023W | E58SK023AW |
| KUKA | KR 16 L8 HW | E58SK027 | E58SK027A | E58SK027W | E58SK027AW |
| KUKA | KR 16 arc HW | E58SK030 | E58SK030A | E58SK030W | E58SK030AW |
| Motoman® | EA1400 XRC | E58SM016 | E58SM016A | E58SM016W | E58SM016AW |
| Motoman | EA1900 XRC | E58SM017 | E58SM017A | E58SM017W | E58SM017AW |
| Motoman | EA1400N, SSA2000, MA1400, VA1400 | E58SM001 | E58SM001A | E58SM001W | E58SM001AW |
| Motoman | MA1440, AR1440, MH12 | E58SM035 | E58SM035A | E58SM035W | E58SM035AW |
| Motoman | EA1900N | E58SM002 | E58SM002A | E58SM002W | E58SM002AW |
| Motoman | MA2010, AR2010 | E58SM038 | E58SM038A | E58SM038W | E58SM038AW |
| Motoman | MA3100, MA3120, AR3120 | E58SM031 | E58SM031A | E58SM031W | E58SM031AW |
| Motoman | MH24, AR1730 | E58SM039 | E58SM039A | E58SM039W | E58SM039AW |
| Panasonic® | TB1800WGIII | E58SP034 | E58SP034A | E58SP034W | E58SP034AW |

*ONLY AVAILABLE FOR USE WITH A PANASONIC® POWER PIN

^^ONLY AVAILABLE FOR USE WITH A MILLER® POWER PIN W/MILLER AUTO-CONTINUUM® FEEDER

**ONLY AVAILABLE FOR USE WITH A MILLER® POWER PIN W/MILLER AUTO-ACCESS® FEEDER

^ONLY AVAILABLE FOR USE WITH A LINCOLN® POWER PIN

LSR+ (LOW-STRESS ROBOTIC) UNICABLES – SOLID MOUNT (EURO; EQUIPPED WITH TOUGH GUN I.C.E.™ TECHNOLOGY)

| Robot Brand | Robot Model | LSR+ Unicable Part Number (for TOUGH GUN I.C.E.™ Assembly) | | | |
|-------------|--|--|------------|------------|------------------------|
| | | No Options | Air Blast | Wire Brake | Air Blast + Wire Brake |
| ABB® | IRB1600ID, IRB1520ID | IE58SA024 | IE58SA024A | IE58SA024W | IE58SA024AW |
| ABB | IRB2600ID-15/1.85 | IE58SA028 | IE58SA028A | IE58SA028W | IE58SA028AW |
| ABB | IRB2600ID-8/2.00 | IE58SA029 | IE58SA029A | IE58SA029W | IE58SA029AW |
| ABB | IRB1660ID | IE58SA030 | IE58SA030A | IE58SA030W | IE58SA030AW |
| FANUC® | 100iC, 100iC-12 | E58SF205 | - | E58SF205W | - |
| FANUC | 100iC-6L, 100iC-7L, M10iA-6L, M10iA-7L | E58SF207 | - | E58SF207W | - |
| FANUC | 100iC-8L | E58SF210 | - | E58SF210W | - |
| FANUC | 120iC | E58SF206 | - | E58SF206W | - |
| FANUC | 120iC-10L, 120iC-12L | E58SF208 | - | E58SF208W | - |

MOUNTING OPTIONS

CLUTCH

| Robot Brand | Robot Model | Clutch Mount Connector Part Number | | | |
|-------------|---|------------------------------------|-----------|------------|------------------------|
| | | No Options | Air Blast | Wire Brake | Air Blast + Wire Brake |
| COMAU® | Smart5 Arc6 | C58G1 | C58G1 | C58G1W | C58G1W |
| Kawasaki® | BA006N, BA006L | KW58G1 | KW58G1 | KW58G1W | KW58G1W |
| KUKA® | KR 5 arc HW, KR 16 L8 HW | K5800 | K5800 | K5800W | K5800W |
| KUKA | KR 16 arc HW | K258G1 | K258G1 | K258G1W | K258G1W |
| KUKA | KR6 R1820HW, KR6 2100HW, KR8 R1420HW, KR8 R 1620 HW | K358G1 | K358G1 | K358G1W | K358G1W |
| Motoman® | EA1400 XRC, EA1900 XRC, EA1400N, EA1900N, SSA2000, MA1400, VA1400, MA3100, MA3120, AR3120 | 5800 | 5800 | 5800W | 5800W |
| Motoman | MA1440, AR1440, MH12, MH24, AR1730, MA2010, AR2010 | M58G1 | M58G1 | M58G1W | M58G1W |
| Nachi® | NB04, NB04L | D25800 | D25800 | D25800W | D25800W |
| Nachi | NB6, NB6L | D35800 | D35800 | D35800W | D35800W |
| OTC Daihen® | AII-B4, AII-B4L | D25800 | D25800 | D25800W | D25800W |
| OTC Daihen | AX-V4, AX-V4L | D5800 | D5800 | D5800W | D5800W |
| OTC Daihen | FD B4, FD B4L | D25800 | D25800 | D25800W | D25800W |
| OTC Daihen | FD B6, FD B6L | D35800 | D35800 | D35800W | D35800W |
| Panasonic® | TB1800WGIII | P5800 | P5800 | P5800W | P5800W |
| Panasonic | TM-1100, TM-1400, TM-1800, TM-1600, TM-2000 | P258G1 | P258G1 | P258G1W | P258G1W |

CLUTCH – TOUGH GUN I.C.E.™ TECHNOLOGY

| Robot Brand | Robot Model | Clutch Mount Connector Part Number | | | |
|-------------|---|------------------------------------|-----------|------------|------------------------|
| | | No Options | Air Blast | Wire Brake | Air Blast + Wire Brake |
| Nachi® | NB04, NB04L | ID25800 | ID25800 | ID25800W | ID25800W |
| OTC Daihen® | FD B4, FD B4L | ID25800 | ID25800 | ID25800W | ID25800W |
| Panasonic | TM-1100, TM-1400, TM-1800, TM-1600, TM-2000 | IP258G1 | IP258G1 | IP258G1W | IP258G1W |

SOLID MOUNT

| Robot Brand | Robot Model | Solid Mount Connector Part Number | | | |
|-------------|--|-----------------------------------|-----------|---------------|------------------------|
| | | No Options | Air Blast | Wire Brake | Air Blast + Wire Brake |
| ABB® | IRB1600ID, IRB1520ID | A58G1S | A58G1S | A58G1SW | A58G1SW |
| ABB | IRB2600ID-15/1.85, IRB2600ID-8/2.00, IRB1660ID | A258G1S | A258G1S | A258G1SW | A258G1SW |
| FANUC® | 100iC, 100iC-12, 100iC-6L, 100iC-7L, 100iC-8L, 120iC, 120iC-10L, 120iC-12L, M10iA-6L, M10iA-7L | 560-500 | 560-502 | *W560-500-XXX | *W560-500-XXXXA |
| FANUC | 100iD, 100iD-12, 100iD-8L, 100iD-10L, 120iD, 120iD-12L | 560-600 | - | *560-600W-XXX | - |
| Kawasaki® | BA006N | KW58G1S | KW58G1S | KW58G1SW | KW58G1SW |
| Kawasaki | BA013N | KW258G1S | KW258G1S | - | - |
| KUKA® | KR 5 arc HW, KR 16 L8 HW | K58G1S | K58G1S | K58G1SW | K58G1SW |
| KUKA | KR 16 arc HW | K5800S | K5800S | K5800SW | K5800SW |
| KUKA | KR6 R1820HW, KR6 R2100HW, KR8 R1420HW, KR8 R1620HW | K358G1S | K358G1S | K358G1SW | K358G1SW |
| Motoman® | EA1400 XRC, EA1900 XRC, EA1400N, EA1900N, SSA2000, MA1400, VA1400, MA3100, MA3120, AR3120 | 5800S | 5800S | 5800SW | 5800SW |
| Motoman | MA1440, AR1440, MH12, MH24, AR1730, MA2010, AR2010 | M58G1S | M58G1S | M58G1SW | M58G1SW |
| Panasonic® | TB1800WGIII | P58G1S | P58G1S | P58G1SW | P58G1SW |
| Panasonic | TM-1100, TM-1400, TM-1800, TM-1600, TM-2000 | P258G1S | P258G1S | P258G1SW | P258G1SW |

*XXX IN THE PART NUMBERS ABOVE REPRESENT WIRE SIZE. FOR WIRE SIZES BETWEEN 0.035" AND 0.045", XXX = "045"; FOR WIRE SIZES BETWEEN 0.052" AND 1/16", XXX = "116"

MOUNTING OPTIONS (CONTINUED)

SOLID MOUNT – TOUGH GUN I.C.E.™ TECHNOLOGY

| Robot Brand | Robot Model | Solid Mount Connector Part Number | | | |
|-------------|--|-----------------------------------|-----------|----------------|------------------------|
| | | No Options | Air Blast | Wire Brake | Air Blast + Wire Brake |
| ABB® | IRB1600ID, IRB1520ID | IA58G1S | IA58G1S | IA58G1SW | IA58G1SW |
| ABB | IRB2600ID-15/1.85, IRB2600ID-8/2.00, IRB1660ID | IA258G1S | IA258G1S | IA258G1SW | IA258G1SW |
| FANUC® | 100iC, 100iC-12, 100iC-6L, 100iC-7L, 100iC-8L, 120iC, 120iC-10L, 120iC-12L, M10iA-6L, M10iA-7L | 560-501 | - | *W560-501-XXX | - |
| FANUC | 100iD, 100iD-12, 100iD-10L, 120iD, 120iD-12L | 560-600I | - | *560-600IW-XXX | - |
| Panasonic | TM-1100, TM-1400, TM-1800, TM-1600, TM-2000 | IP258G1S | IP258G1S | IP258G1SW | IP258G1SW |

*XXX IN THE PART NUMBERS ABOVE REPRESENT WIRE SIZE. FOR WIRE SIZES BETWEEN 0.035" AND 0.045", XXX = "045"; FOR WIRE SIZES BETWEEN 0.052" AND 1/16", XXX = "116".

INSULATING DISCS

| | | | |
|-------------------|---|-----------------|--|
| AS-114-1 | Motoman® insulating disc | AS-114-6 | KUKA® insulating disc |
| 560-500-11 | FANUC® iC Series (except when equipped with TOUGH GUN I.C.E.™) FANUC iC insulating disc | AS-115-1 | Panasonic® TB1800WGIII insulating disc |
| 560-501-11 | FANUC® iD Series and TOUGH GUN I.C.E.™ FANUC® iC series insulating disc | AS-116-1 | OTC Daihen® insulating disc |

SPACERS (CLUTCH SYSTEMS)

| | | | |
|------------------|---|-------------------------------|---|
| AS-114-9 | KUKA® KR 16 arc HW Spacer + M5x0.8-12Lg. SHCS | AS-114-13 | Motoman® MA1440 / AR1440 / MH12 / MH24 / MA2010 / AR2010 Spacer + M4x0.7-60Lg. SHCS |
| AS-114-10 | COMAU® Smart5 Arc4 Spacer + M6x1-12Lg. SHCS | AS-114-12 + AS-114-11* | Panasonic® TM-1100 / 1400 / 1600 / 1800 / 2000 Spacer + M5x0.8-70Lg. SHCS (*must be used with AS-114-11 Transition Disc, sold separately) |
| AS-114-18 | KUKA® KR6 R1820HW / KR8 R1420HW / KR8 R1620HW, KR8 R2100HW Spacer + M4x0.7-80Lg. SHCS | AS-116-2 | OTC® AII-B4 / AII-B4L / FD B4 / FD B4L Transition Disc + M5x0.8-10Lg. SHCS |
| | | AS-116-4 + AS-116-3* | OTC® FD B6 / FD B6L Spacer + M4x0.7-60Lg. SHCS (*must be used with AS-116-3 Transition Disc, sold separately) |

SPACERS (SOLID MOUNT SYSTEMS)

| | | | |
|-------------------------------|---|-------------------------------|---|
| AS-114-7 | ABB® 1600ID / 1520ID Spacer + M6x1-16Lg. SHCS | AS-114-9 | KUKA® KR 16 arc HW Spacer + M5x0.8-12Lg. SHCS |
| AS-114-8 | ABB® 2600ID Spacer + M8x1.25-12Lg. SHCS | AS-114-15 + AS-114-16^ | Kawasaki® BA006N Spacer + M5x0.8-16Lg. SHCS (^must be used with AS-114-16 Transition Disc, sold separately) |
| AS-114-12 + AS-114-11* | Panasonic® TM-1100 / 1400 / 1600 / 1800 / 2000 Spacer + M5x0.8-70Lg. SHCS (*must be used with AS-114-11 Transition Disc, sold separately) | AS-114-18 | KUKA® KR6 R1820HW / KR8 R1420HW / KR8 R1620HW, KR8 R2100HW Spacer + M4x0.7-80Lg. SHCS |
| 560-600-11 | FANUC® 100iD Spacer + M4x0.7-12Lg. SHCS | AS-116-5 | Kawasaki® BA013N Spacer + M6x1-16Lg. SHCS |

POWER PINS

POWER PINS

| | | | |
|----------------|----------|---------------|-------------|
| 425-10E | Euro | 214-39 | OTC Daihen® |
| 214-41 | Fronius® | 214-30 | Panasonic® |
| 214-40 | Lincoln® | 214 | Tweco® #4 |
| 214-1 | Miller® | 214-24 | Tweco® #5 |

PERIPHERALS & ACCESSORIES

TOUGH GUN® TT4 REAMER

POWER THROUGH WELD SPATTER FOR INCREASED UPTIME AND WELD QUALITY



Automating spatter removal helps to extend the life of your robotic MIG guns and consumables, benefiting your bottom line, production uptime and throughput. Operates reliably in the harshest welding environments.

VISIT BERNARDTREGASKISS.COM/TT4 FOR ORDERING INFORMATION.

TOUGH GARD® MULTI-FEED SYSTEM



Eliminate the need to frequently refill sprayer reservoirs with the TOUGH GARD® multi-feed system from Tregaskiss®. Feed up to 10 TOUGH GUN® reamer units from a single 5-gallon or 55-gallon drum of TOUGH GARD® anti-spatter liquid.

TG-103-05-2 for 5-Gallon pail
(up to 2 nozzle cleaning stations)

TG-103-05-10 for 5-Gallon pail
(up to 10 nozzle cleaning stations)

TG-103-55-10 for 55-Gallon drum
(up to 10 nozzle cleaning stations)

TOUGH GARD® ANTI-SPATTER LIQUID



This ready-to-use water-soluble, non-toxic product creates a sacrificial surface that reduces spatter adhesion. This prolongs the life of your consumables and minimizes downtime due to nozzle cleaning which can help reduce your operating and maintenance costs.

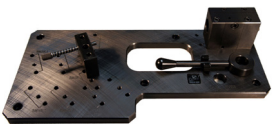
TOUGH GARD® MULTI-FEED SYSTEM HOSE *(sold separately)*

TG-103-100 100' multi-feed hose

TG-103-200 200' multi-feed hose

- TG-101-05** 5.28 U.S. Gallon / 20 L
- TG-101-55** 55 U.S. Gallon / 208 L
- TG-101-01** 1 U.S. Gallon / 3.78 L
- TG-101-32SP** 32 fl. oz. / 946 mL (spray bottle)
- TG-101-14S** 16.9 fl. oz. / 500 mL

NECK CHECKING FIXTURE



The TOUGH GUN® neck checking fixture allows you to verify and re-master your tool center point (TCP). In the event of a collision, this fixture can be used to realign the neck.

- G-405CA** Neck checking fixture for air-cooled and TOUGH GUN I.C.E.™ neck assemblies

NOTES

ORDERING INFORMATION

TOUGH GUN® TA3 ROBOTIC MIG GUNS

| TOUGH GUN TA3 Gun Series | | | Robot Make & Model | | | Gun Mount & Options | Nozzle | Neck | Contact Tip*** | Wire Size^ | Power Pin |
|--------------------------|---|---|--|---|---|--|--|---|---|--|--|
| T | A | 1 | F | 1 | 1 | 3 | G | C | 1 | D | L |
| | | | PLEASE SEE ROBOT MAKE & MODEL OPTIONS ON PAGE 8 TO DETERMINE WHICH CHARACTER SELECTIONS YOU REQUIRE HERE | | | 1 Clutch 2 Clutch + Air Blast 3 Solid Mount 4 Solid Mount + Air Blast 5 Clutch + WireBrake 6 Clutch + WireBrake + Air Blast 7 Solid Mount + WireBrake 8 Solid Mount + WireBrake + Air Blast | A 401-6-62 B 401-81-62 C 401-4-62 D 401-8-62 G 401-48-62 M 401-87-62 U 401-14-62 Z 401-20-62 1 401-43-62 2 401-18-62 3 401-30-62 4 401-30-62T NO CONSUMABLES 0† No nozzle | AIR-COOLED SHORT LENGTH A 22 degrees 405-22QC C 45 degrees 405-45QC MEDIUM LENGTH B 22 degrees 405-22QCL E 45 degrees 405-45QCL LONG LENGTH D 22 degrees 405-22QCL1 TOUGH GUN I.C.E.™** SHORT LENGTH F 22 degrees 590-22-X.XXX H 45 degrees 590-45-X.XXX MEDIUM LENGTH J 22 degrees 590-22L-X.XXX LONG LENGTH K 22 degrees 590-22L1-XXXX | 5 T-A0XXCH 6 T-A0XXZH++ 7 T-A0XXWH+++ NO CONSUMABLES 0† No contact tip | STANDARD LINER B 0.030" C 0.035" D 1.0 mm E 0.045" H 5/64" J 1/16" QUICK LOAD E-Z FEED™ LINER A 0.035" N 1.0 mm P 0.045" W 0.052" Y 1/16" NO CONSUMABLES 0† N/A | D OTC Daihen® 214-39 E Euro 425-10E F Fronius®^^ 214-41 L Lincoln® 214-40 M Miller® 214-1 N Miller Auto-Continuum® 214-1 ‡ P Panasonic® 214-30 T Tweco® #4 214 W Tweco® #5 214-12 |

*AIR BLAST OPTION NOT AVAILABLE FOR FANUC® CONFIGURATIONS EQUIPPED WITH TOUGH GUN I.C.E.™ TECHNOLOGY

**AVAILABLE FOR FANUC® AND ABB®; NOT COMPATIBLE WITH TOUGH ACCESS™ CONSUMABLES; X.XXX REPRESENTS NOZZLE O.D.

***XX=WIRE SIZE ++AVAILABLE FOR WIRE SIZES BETWEEN 0.030" AND 0.045"

+++AVAILABLE FOR WIRE SIZES BETWEEN 0.035" AND 0.052"

^WIRE SIZE OPTION DETERMINES CONTACT TIP, LINER TYPE AND LINER SIZE

^^IF YOU ARE CONFIGURING A GUN THAT WILL PLUG INTO A FRONIUS® FEEDER, PLEASE CONTACT TREGASKISS® TECH SUPPORT WITH FEEDER MODEL NUMBER

† IF CONFIGURING GUN WITHOUT CONSUMABLES, "0" MUST BE FOR GAS DIFFUSER AND CONTACT TIP, NOZZLE AND WIRE SIZE OPTION

‡ ONLY AVAILABLE FOR USE WITH A MILLER® POWER PIN WITH MILLER AUTOCONTINUUM® FEEDER

BRAND AND PRODUCT NAMES SHOWN ABOVE ARE TRADEMARKS OF THEIR RESPECTIVE OWNERS. TREGASKISS®, TOUGH GUN®, TOUGH LOCK®, QUICK LOAD® AND ACCULOCK™ ARE TRADEMARKS OF TREGASKISS, A DIVISION OF ITW CANADA INC. SUBJECT TO CHANGE - THE INFORMATION PRESENTED IN THIS SPEC SHEET IS ACCURATE TO THE BEST OF OUR KNOWLEDGE AT THE TIME OF PRINTING.