

TOUGH GUN™ TA3 Robotic Air-Cooled MIG Gun for FANUC® Robots

Cross Reference Configurations

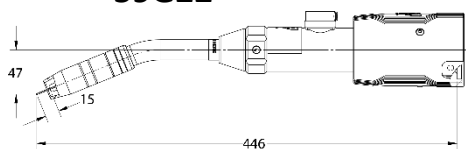
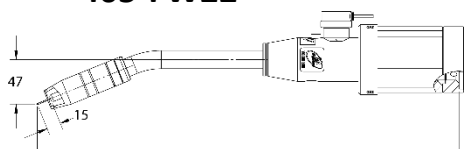
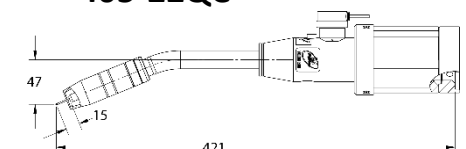
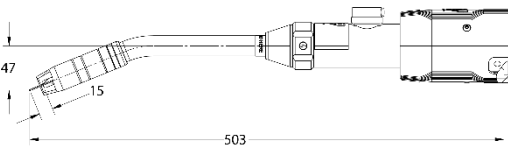
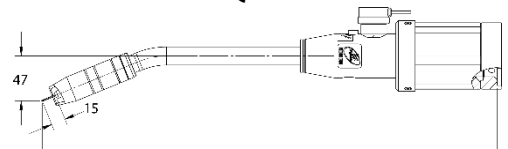
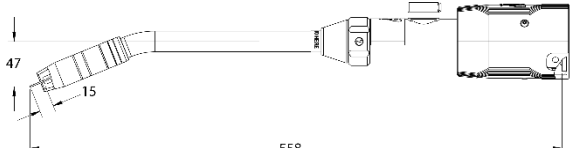
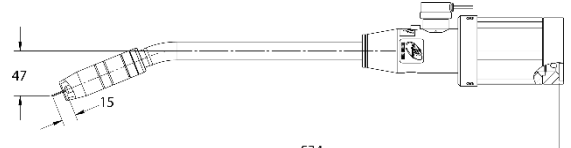
22 Degree Necks – Solid Mount

TOUGH GUN™ ThruArm™ G2 Series	TOUGH GUN™ TA3 MIG Gun
<p style="text-align: center;">59G22</p>	<p style="text-align: center;">405-22QC</p>
<p style="text-align: center;">59G22L</p>	<p style="text-align: center;">405-22QCL</p>
<p style="text-align: center;">59G22L1</p>	<p style="text-align: center;">405-22QCL1</p>

TOUGH GUN™ TA3 Robotic Air-Cooled MIG Gun for FANUC® Robots

Cross Reference Configurations

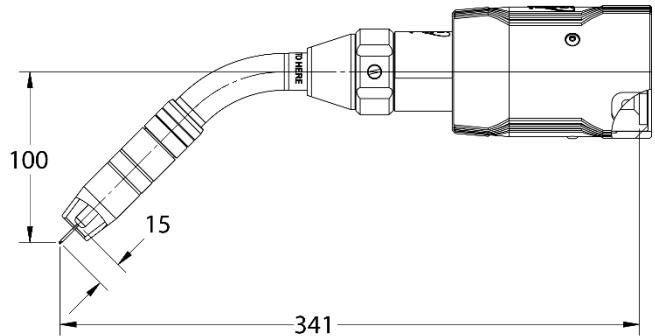
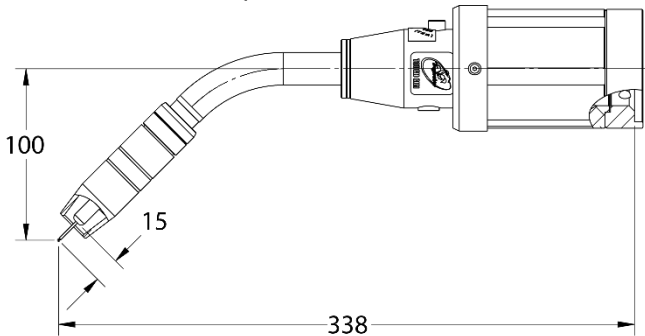
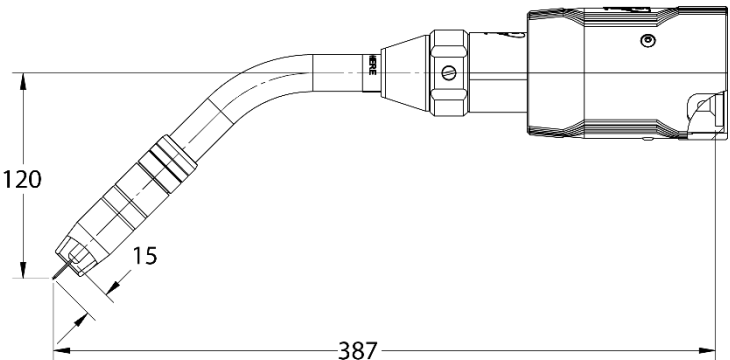
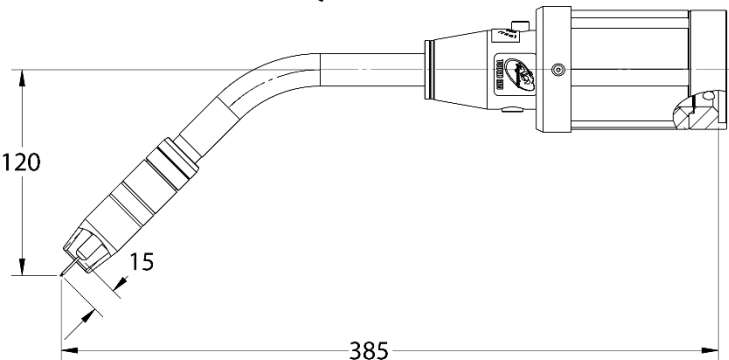
22 Degree Necks – Solid Mount with Wire Brake

TOUGH GUN™ ThruArm™ G2 Series	Direct Replacement	TOUGH GUN™ TA3 MIG Gun
<p>59G22</p> 	<p>405-FW22</p> 	<p>405-22QC</p> 
<p>59G22L</p> 	<p>N/A</p>	<p>405-22QCL</p> 
<p>59G22L1</p> 	<p>N/A</p>	<p>405-22QCL1</p> 

TOUGH GUN™ TA3 Robotic Air-Cooled MIG Gun for FANUC® Robots

Cross Reference Configurations

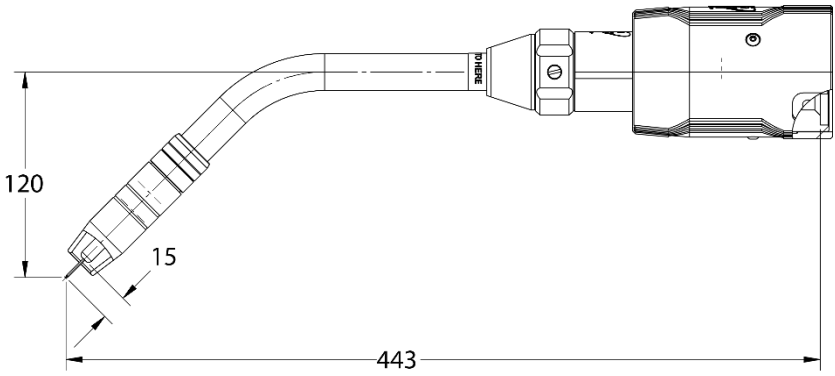
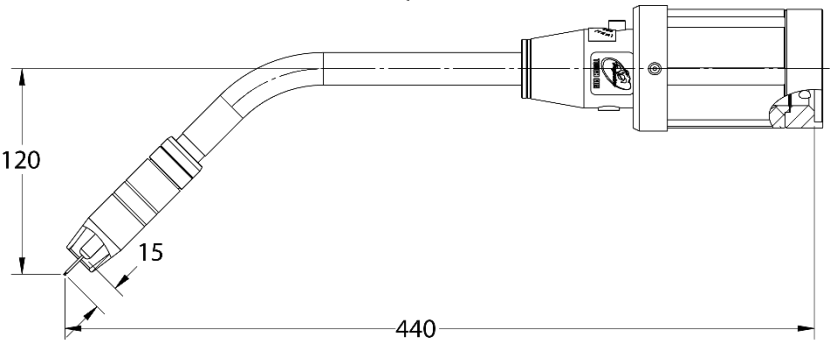
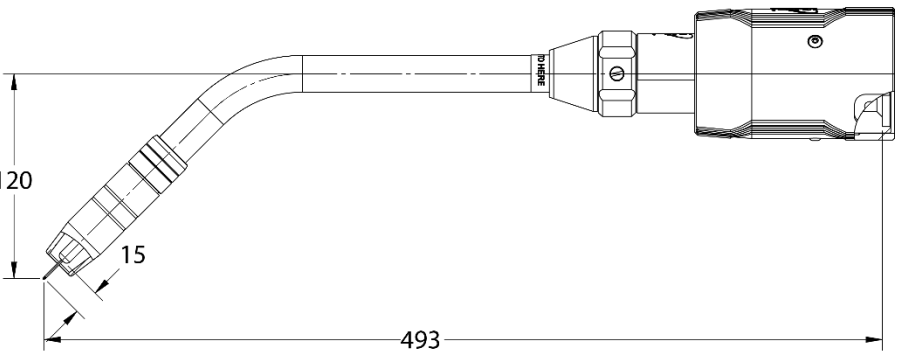
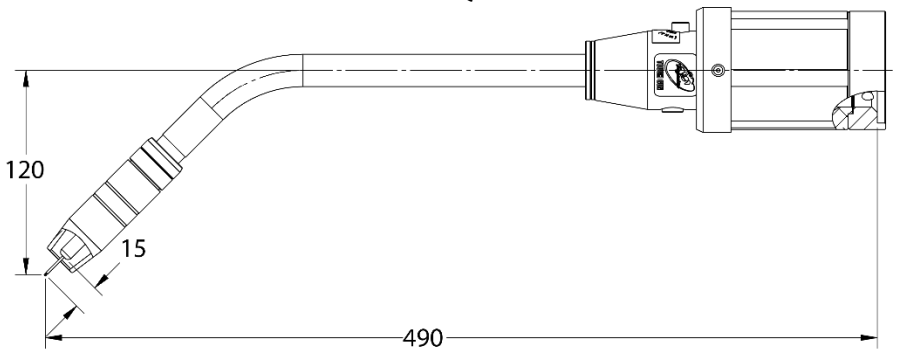
45 Degree Necks – Solid Mount

TOUGH GUN™ ThruArm™ G2 Series	TOUGH GUN™ TA3 MIG Gun
<p data-bbox="525 462 630 495">59G45</p> 	<p data-bbox="1449 462 1596 495">405-45QC</p> 
<p data-bbox="514 933 640 966">59G45L</p> 	<p data-bbox="1438 933 1617 966">405-45QCL</p> 

TOUGH GUN™ TA3 Robotic Air-Cooled MIG Gun for FANUC® Robots

Cross Reference Configurations

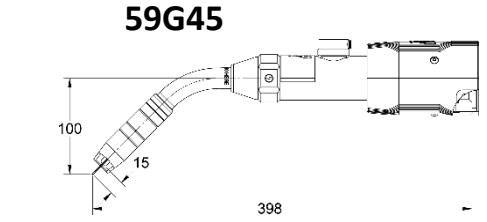
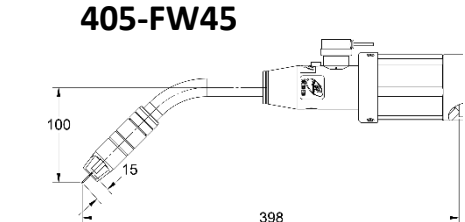
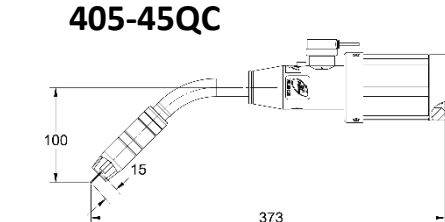
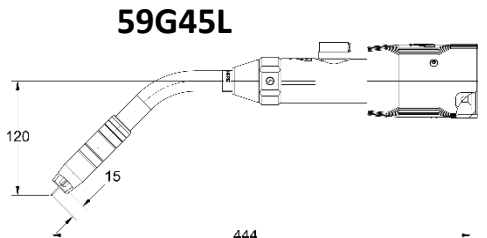
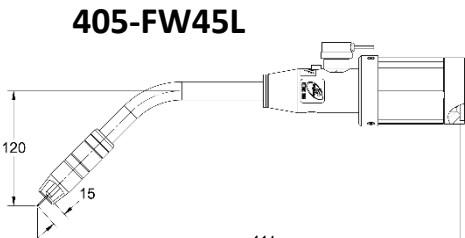
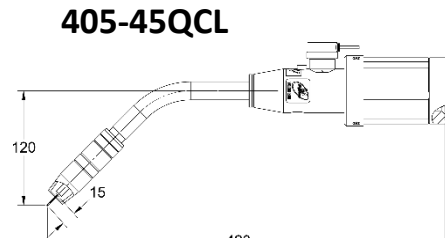
45 Degree Necks – Solid Mount (Continued)

TOUGH GUN™ ThruArm™ G2 Series	TOUGH GUN™ TA3 MIG Gun
<p data-bbox="510 462 646 495">59G45L1</p> 	<p data-bbox="1438 462 1627 495">405-45QCL1</p> 
<p data-bbox="510 966 646 998">59G45L2</p> 	<p data-bbox="1438 966 1627 998">405-45QCL2</p> 

TOUGH GUN™ TA3 Robotic Air-Cooled MIG Gun for FANUC® Robots

Cross Reference Configurations

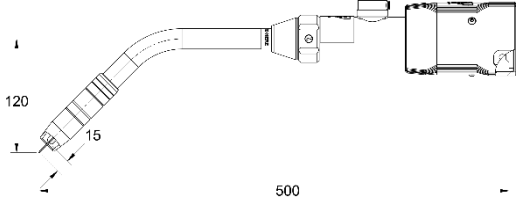
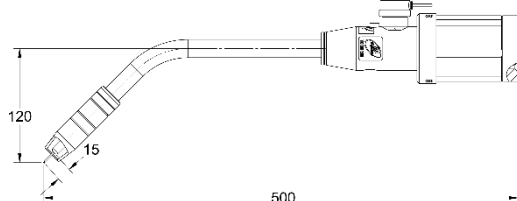
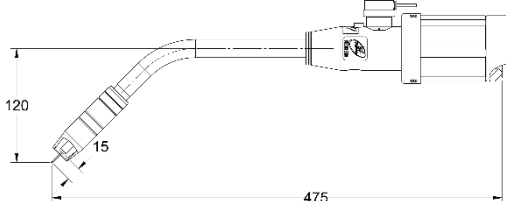
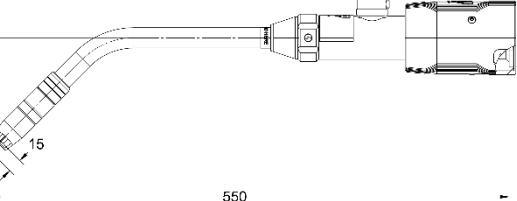
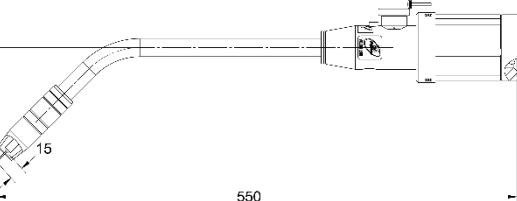
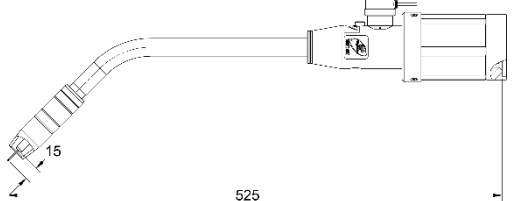
45 Degree Necks – Solid Mount with Wire Brake

TOUGH GUN™ ThruArm™ G2 Series	Direct Replacement	TOUGH GUN™ TA3 MIG Gun
<p>59G45</p>  <p>100 15 398</p>	<p>405-FW45</p>  <p>100 15 398</p>	<p>405-45QC</p>  <p>100 15 373</p>
<p>59G45L</p>  <p>120 15 444</p>	<p>405-FW45L</p>  <p>120 15 444</p>	<p>405-45QCL</p>  <p>120 15 420</p>

TOUGH GUN™ TA3 Robotic Air-Cooled MIG Gun for FANUC® Robots

Cross Reference Configurations

45 Degree Necks – Solid Mount with Wire Brake *(Continued)*

TOUGH GUN™ ThruArm™ G2 Series	Direct Replacement	TOUGH GUN™ TA3 MIG Gun
<p style="text-align: center;">59G45L1</p>  <p style="text-align: center;">500</p>	<p style="text-align: center;">405-FW45L1</p>  <p style="text-align: center;">500</p>	<p style="text-align: center;">405-45QCL1</p>  <p style="text-align: center;">475</p>
<p style="text-align: center;">59G45L2</p>  <p style="text-align: center;">550</p>	<p style="text-align: center;">405-FW45L2</p>  <p style="text-align: center;">550</p>	<p style="text-align: center;">405-45QL2</p>  <p style="text-align: center;">525</p>